



Data Sheet

E-BRS-WALL

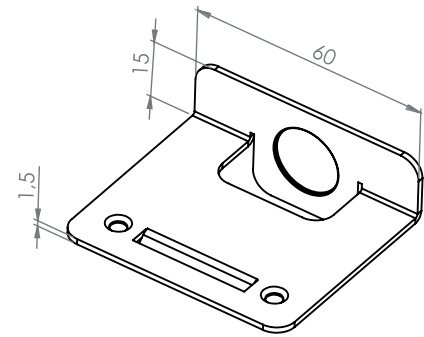
Wall spacer for E-BRS

DESCRIPTION

E-BRS-WALL:

- Used to stabilise the last row of tiles (along the wall) when the joist is positioned parallel to the wall.
- Creates a 5 mm gap between the tile and the wall to ensure natural water drainage.
- Compatible with aluminium joists **E-BRS-27/27-B** and **E-BRS-41/41-B**.
- Compatible with aluminium joists **U-BRS-24/24-B** and **U-BRS-38/38-B**, but only with 3mm-thick EPDM(E-BRS-EPDM).

U-BRS-VIS screws must be ordered separately.



CHARACTERISTICS

Material : **Inox AISI 316**

Thickness : **1,5 mm**

Corrosion resistance : **Excellent**

PACKAGING

Per unit

APPLICATIONS

Buzon pedestals and accessories are designed to support raised floors used only by pedestrians. They cannot support or be subjected to moving or vibrating machinery and equipment. This includes cars, maintenance vehicles and similar equipment.

