

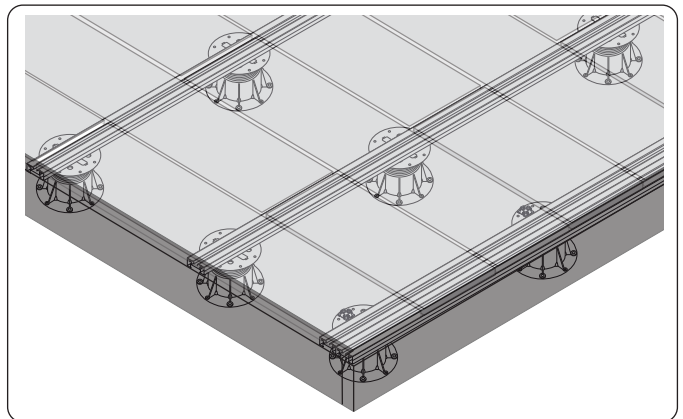
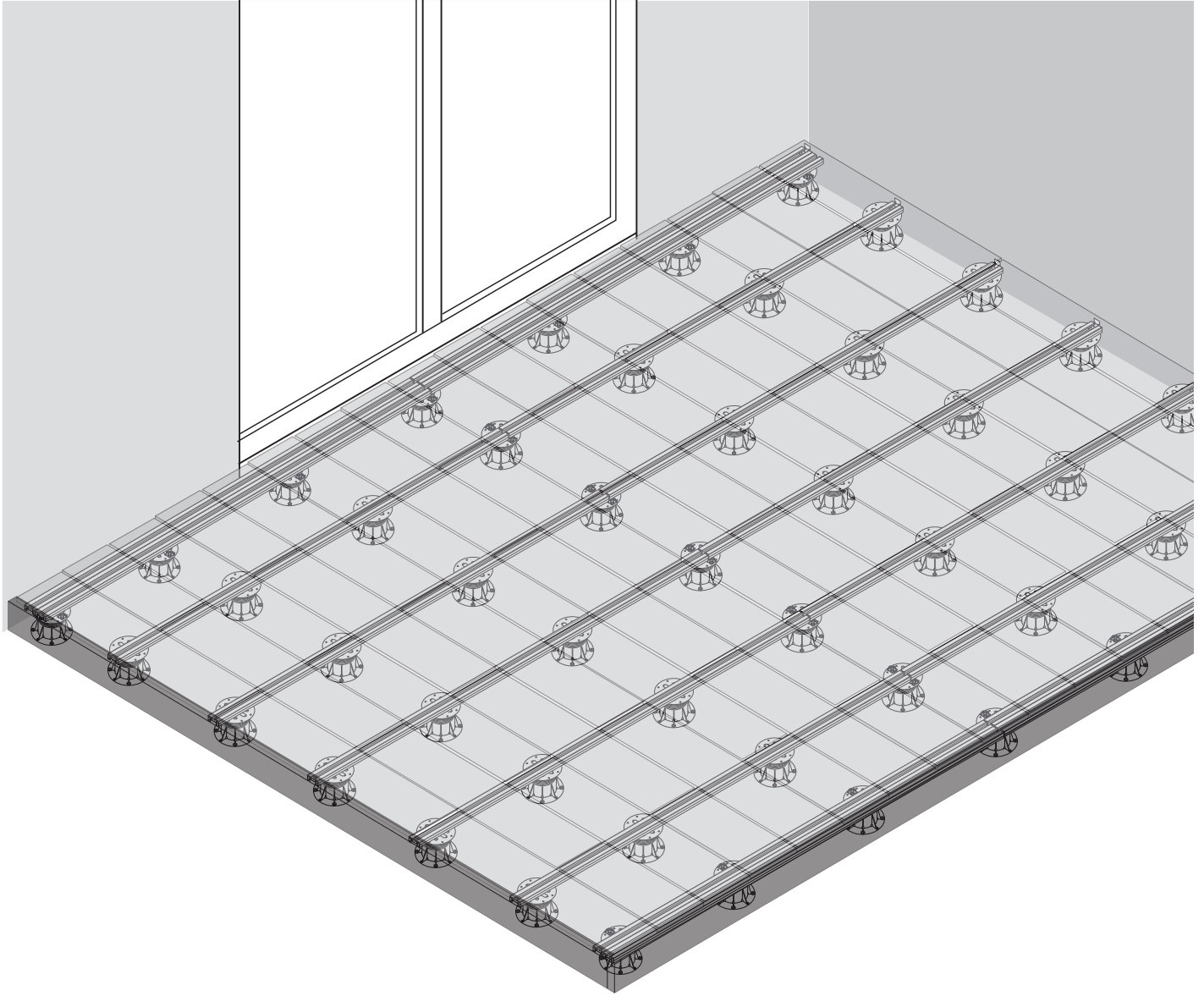


# EASY RAIL SYSTEM

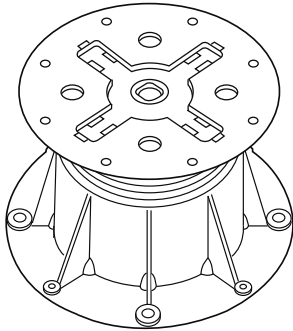
# E-BRS-V4

p.1

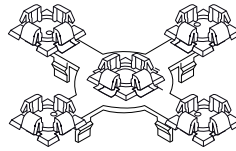
©copyright, 2024, BUZON PEDESTAL INTERNATIONAL



Ref: 62 GNO 71 - Rev.1 - 24/06/2024

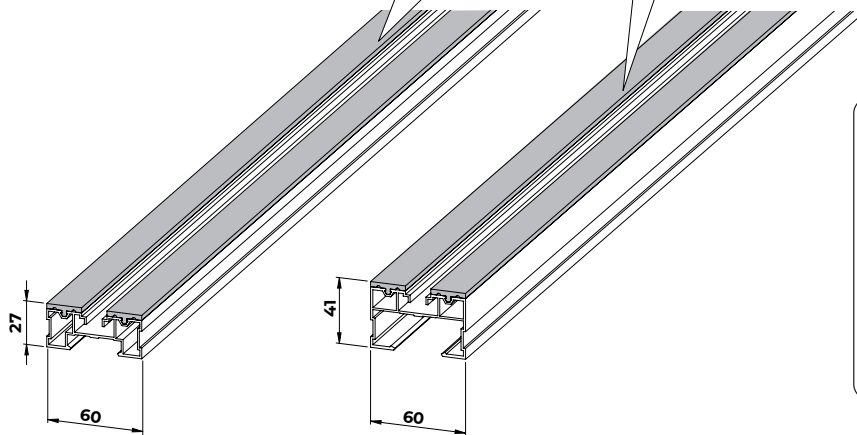
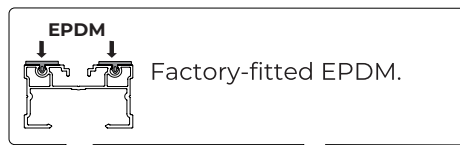


Plot PB-Series



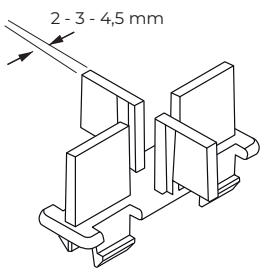
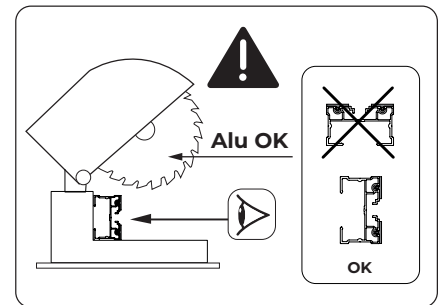
PB-KIT-2

U-BRS-VIS

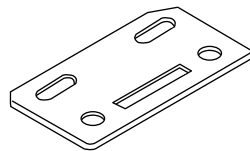


E-BRS-27  
E-BRS-27B

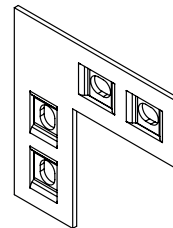
E-BRS-41  
E-BRS-41B



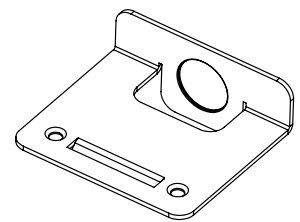
U-BRS-TABS



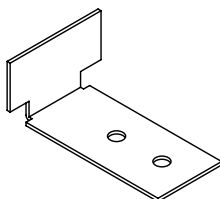
E-BRS-TOP-LINK



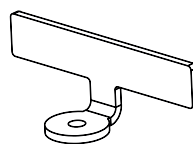
E-BRS-BRACKET



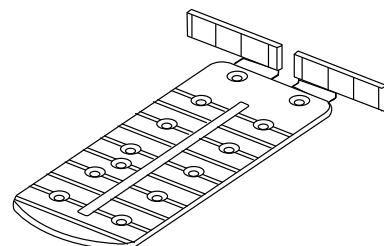
E-BRS-WALL



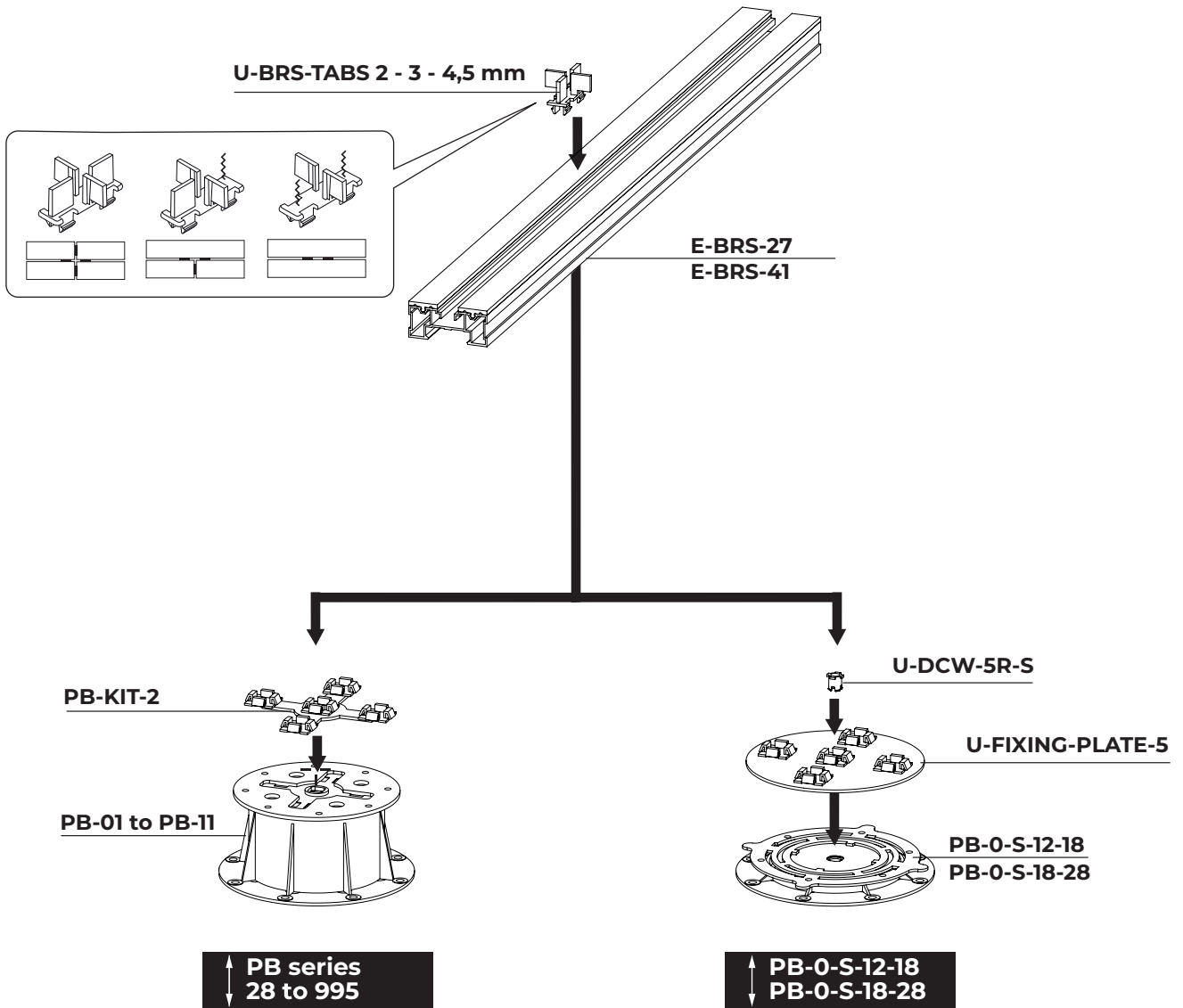
U-BRS-STOP



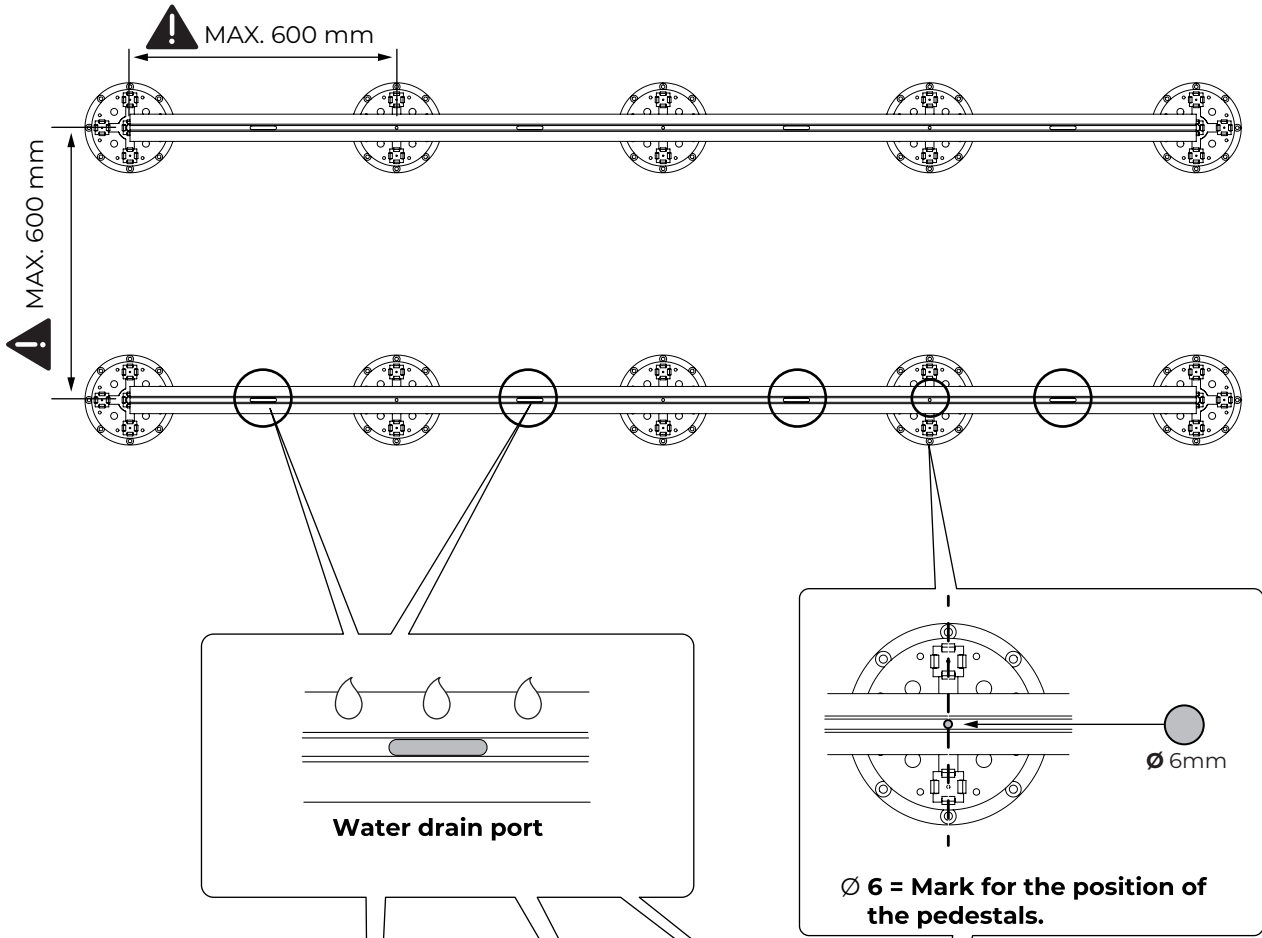
E-BRS-STOP-ROND



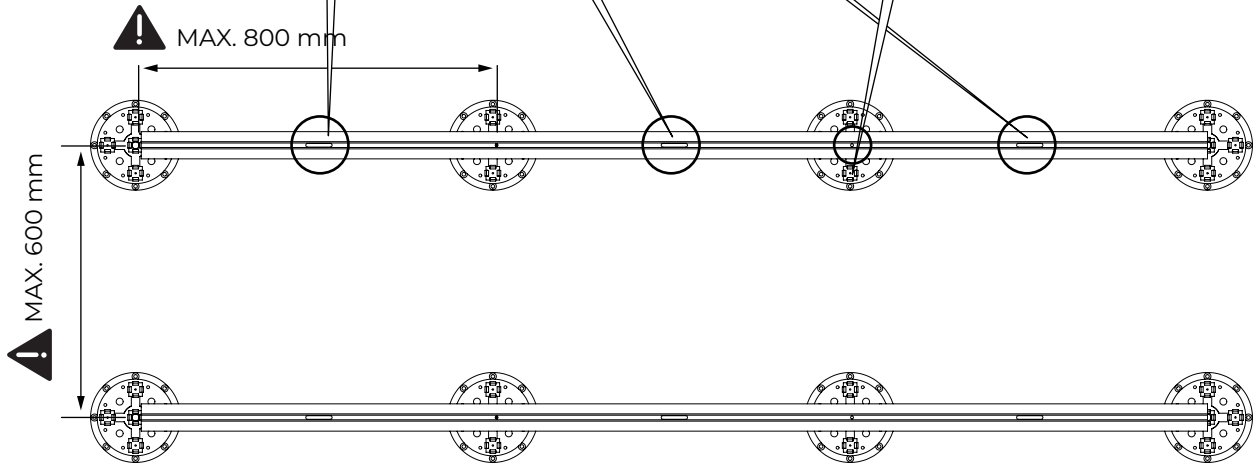
U-WALL-PP



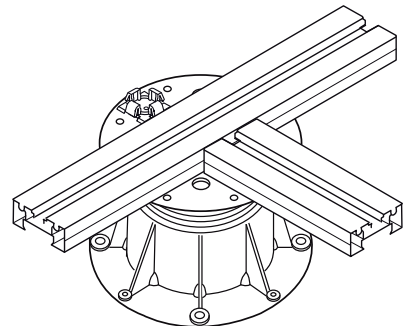
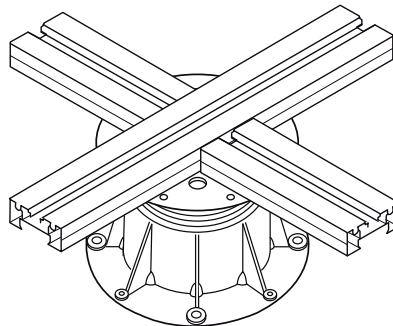
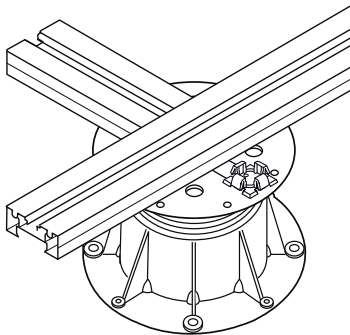
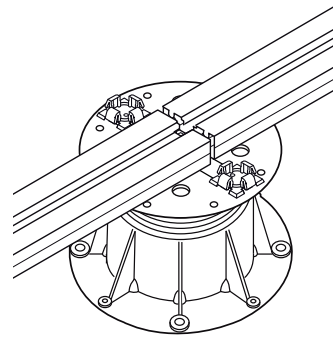
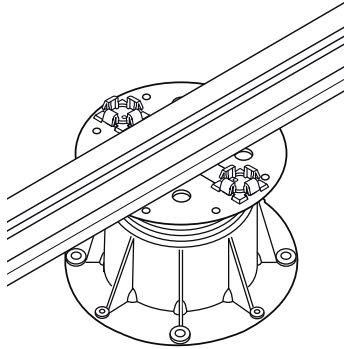
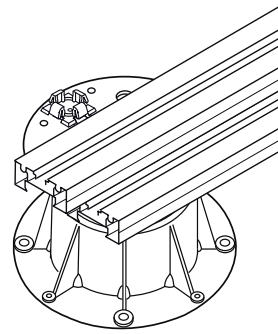
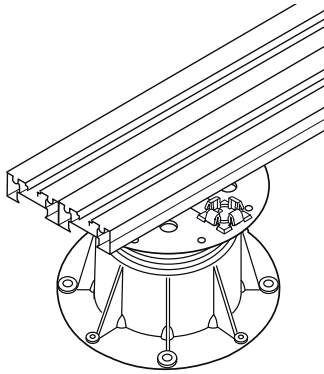
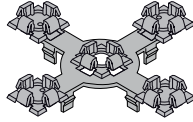
**E-BRS-27**



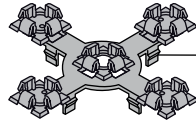
**E-BRS-41**



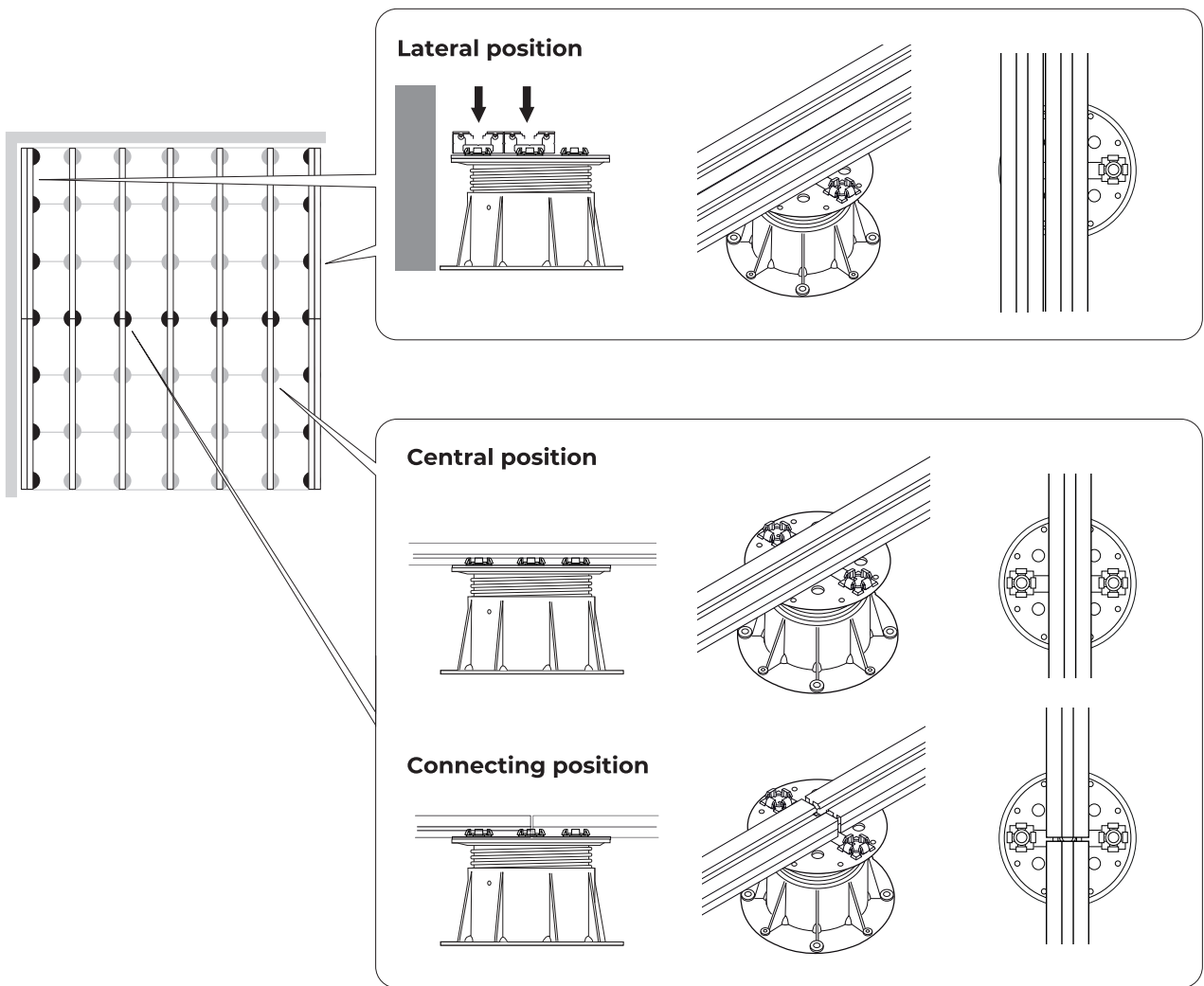
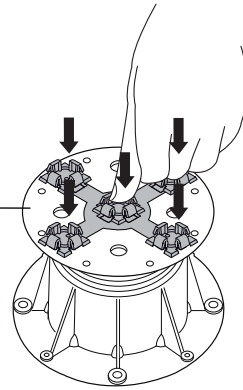
**PB-KIT-2**



1

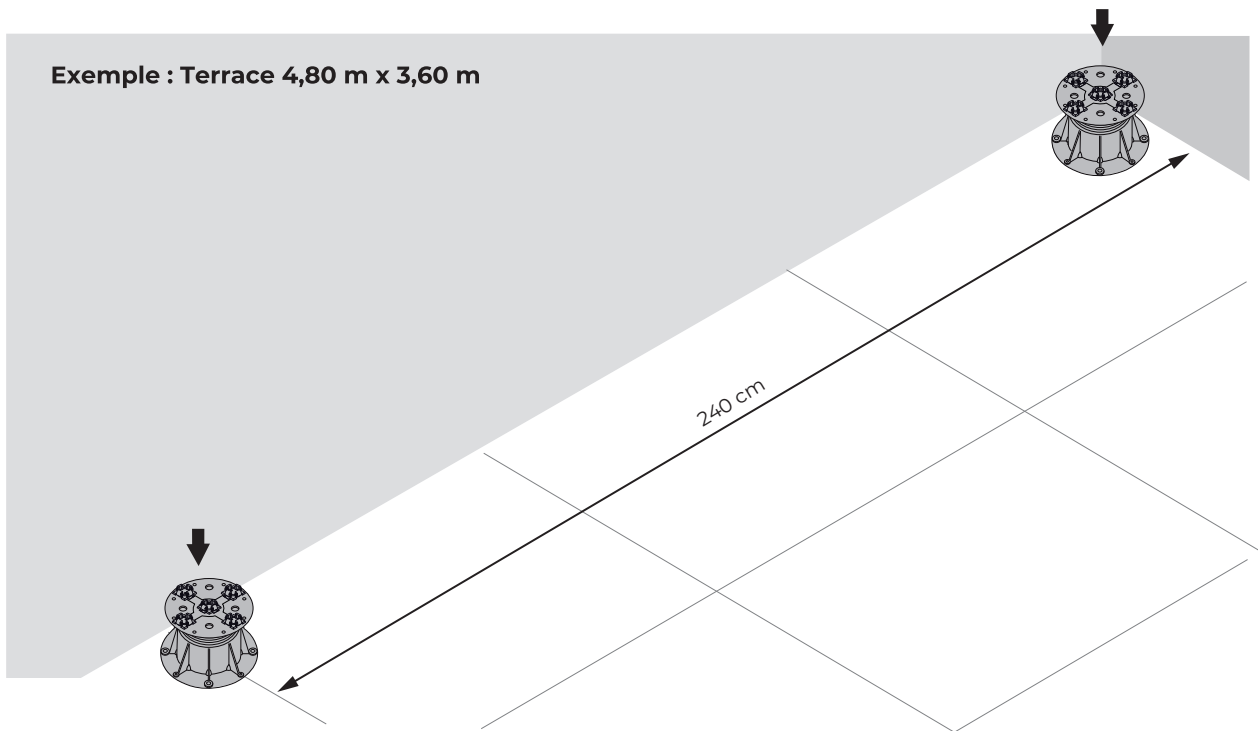


**PB-KIT-2**

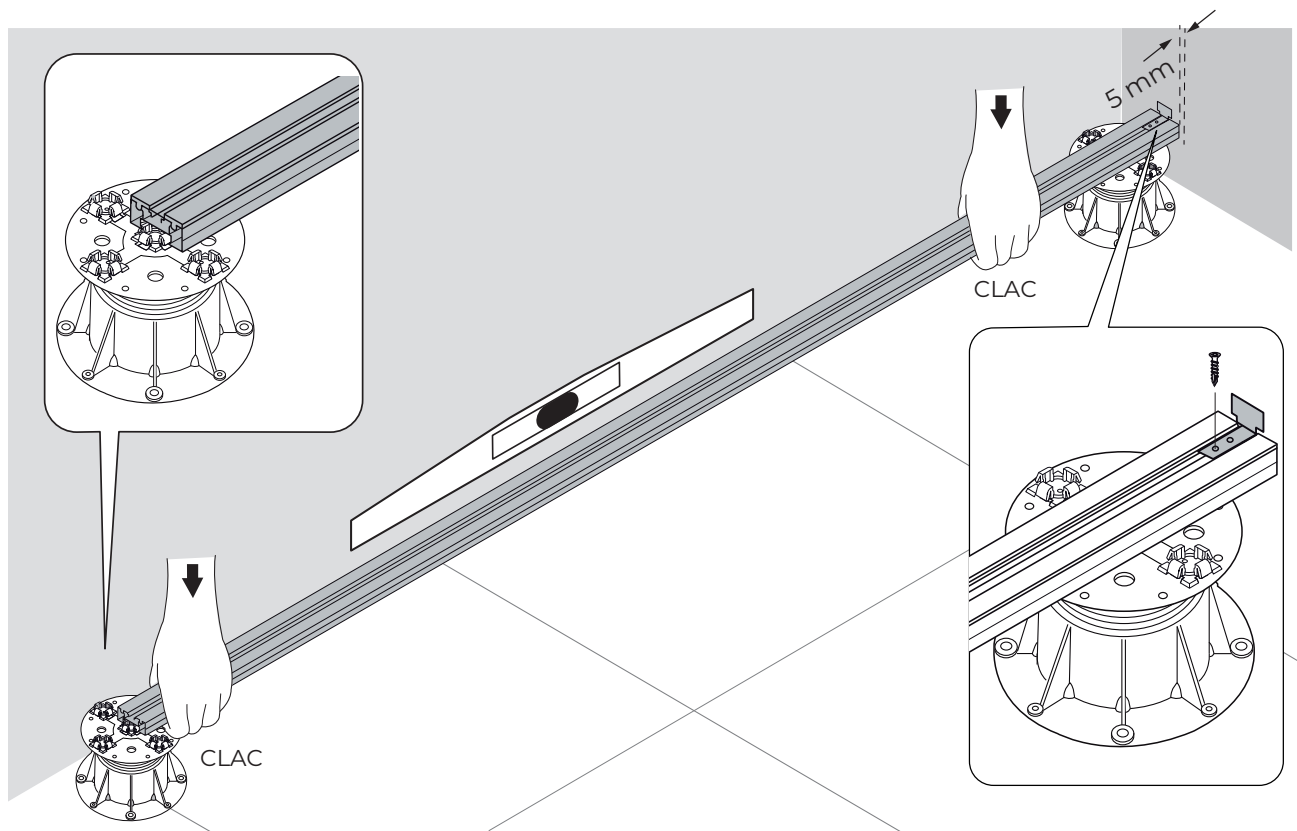


**2**

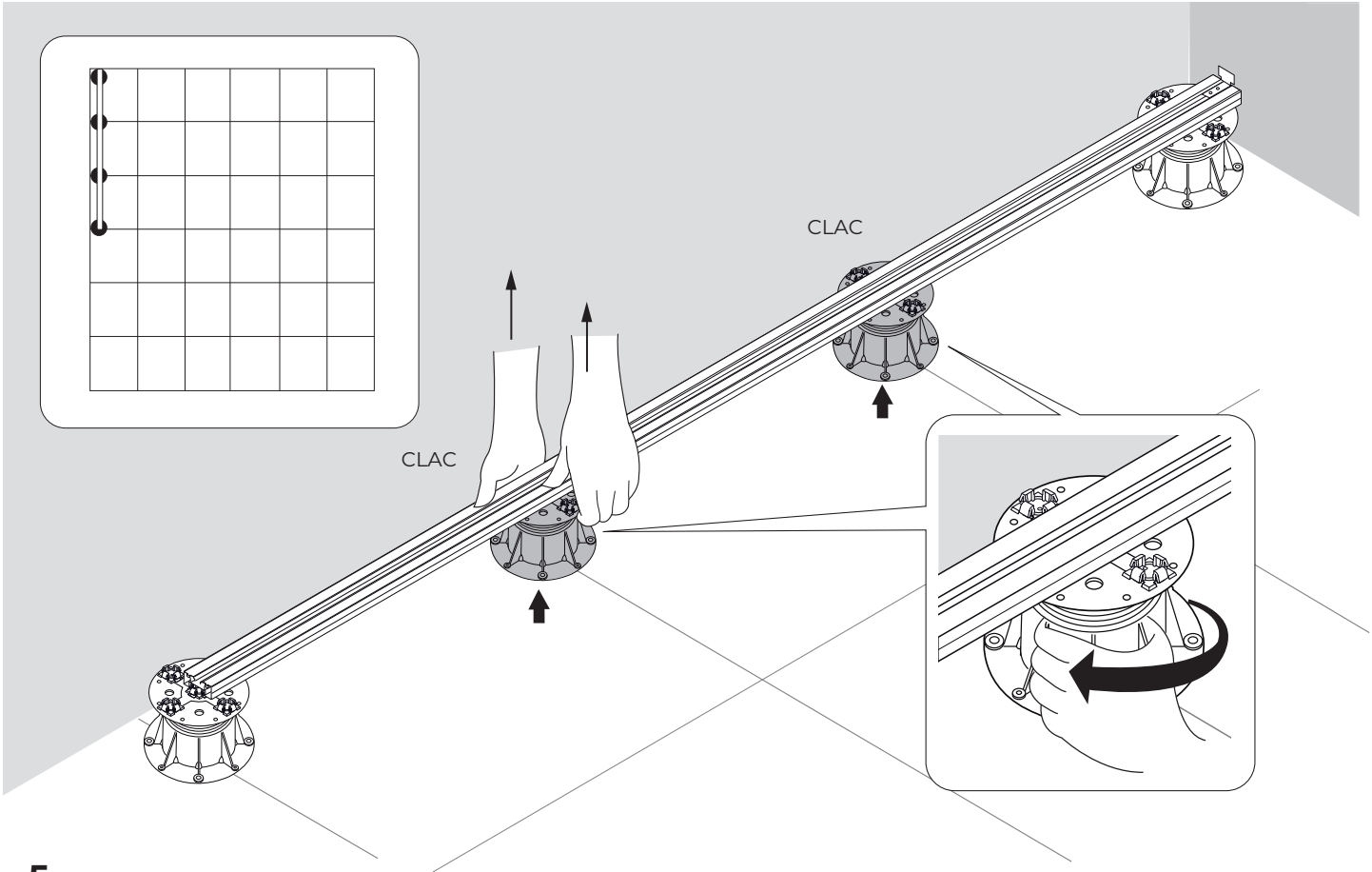
Exemple : Terrasse 4,80 m x 3,60 m



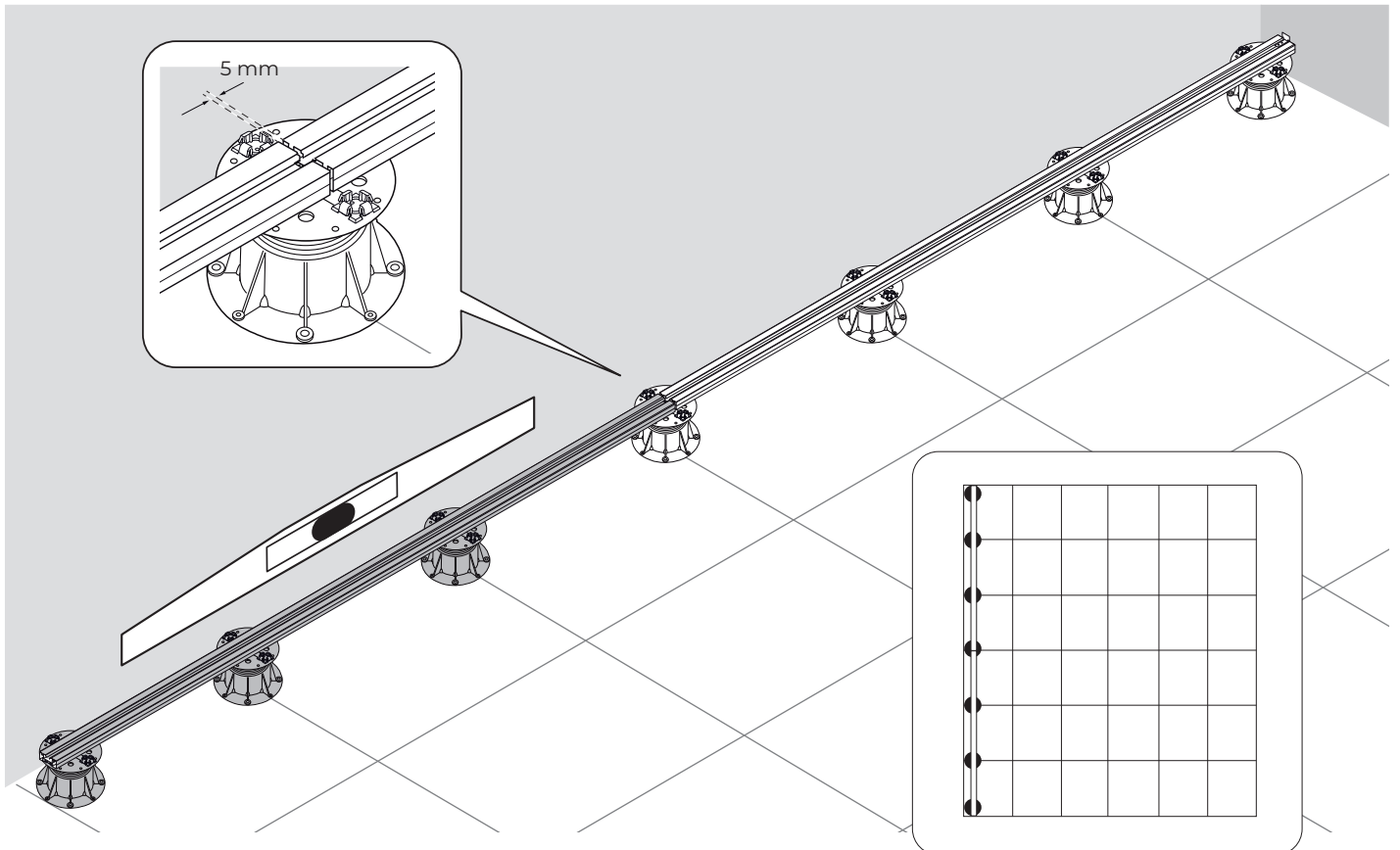
**3**



**4**

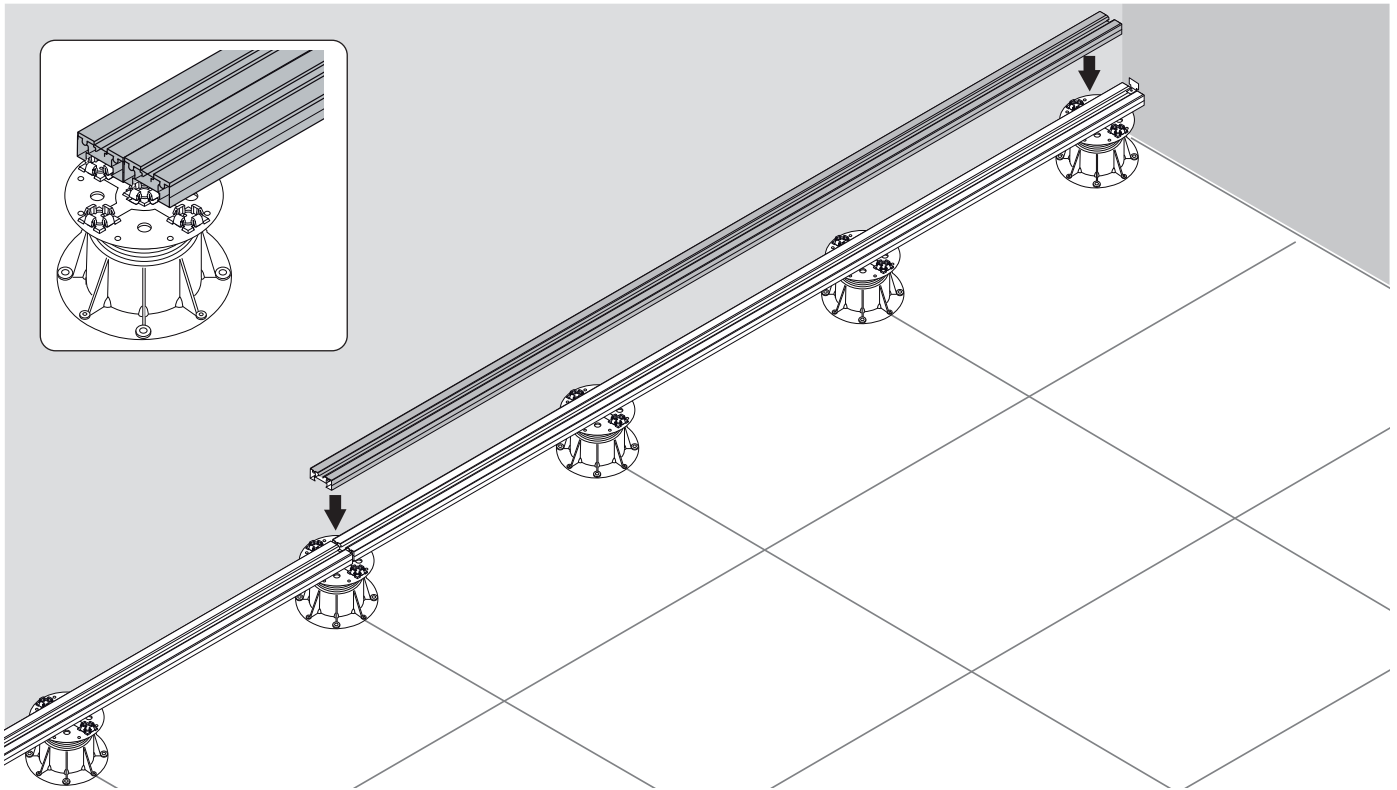


**5**

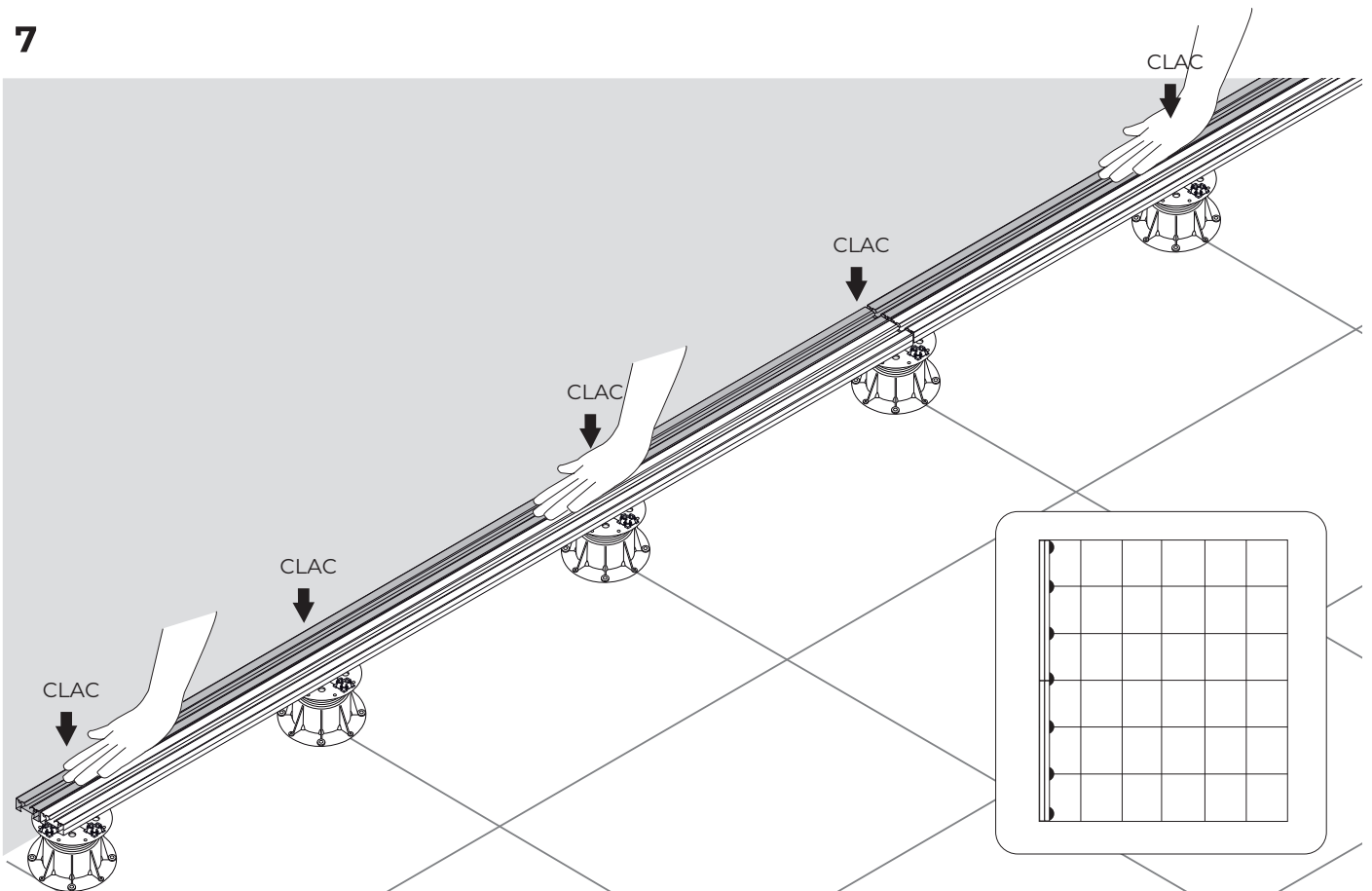




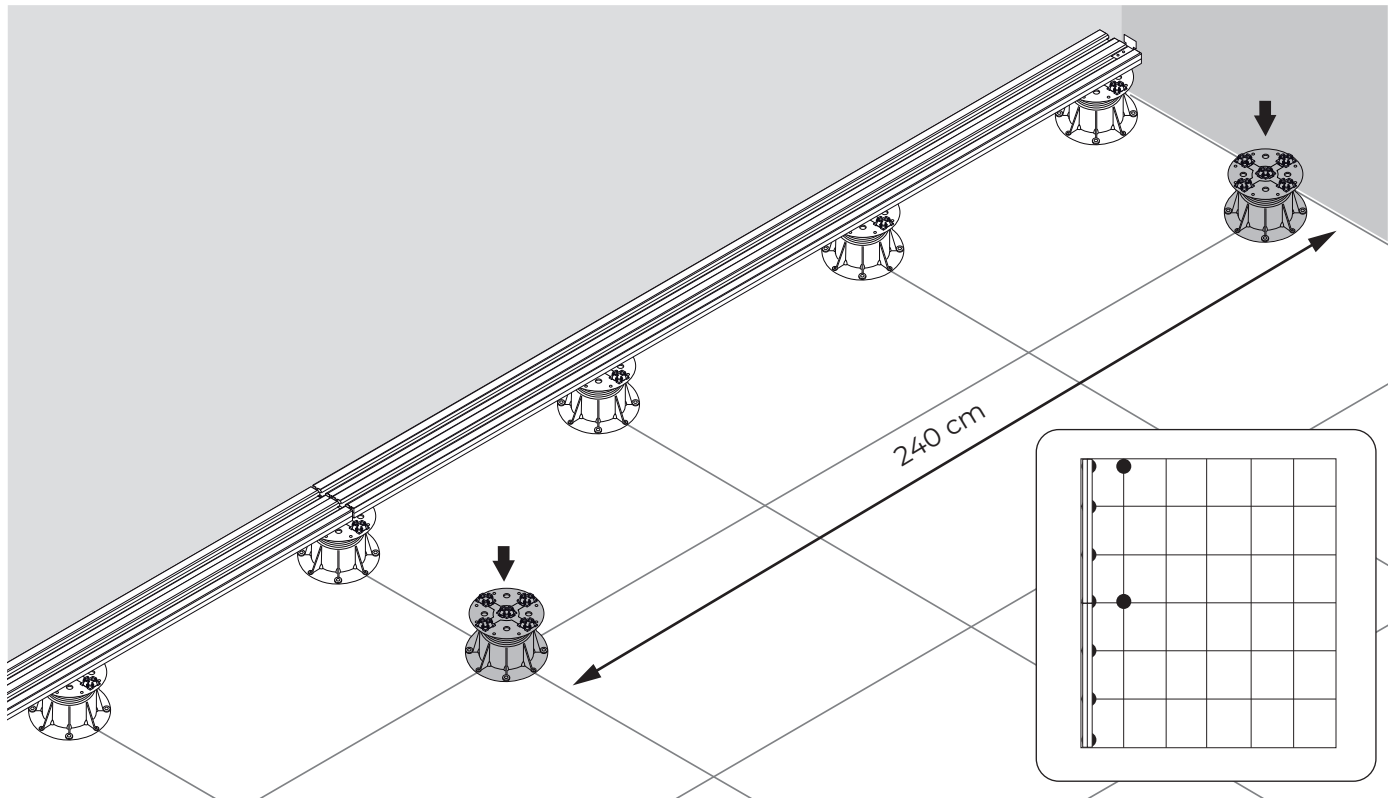
**6 Double rail in lateral position**



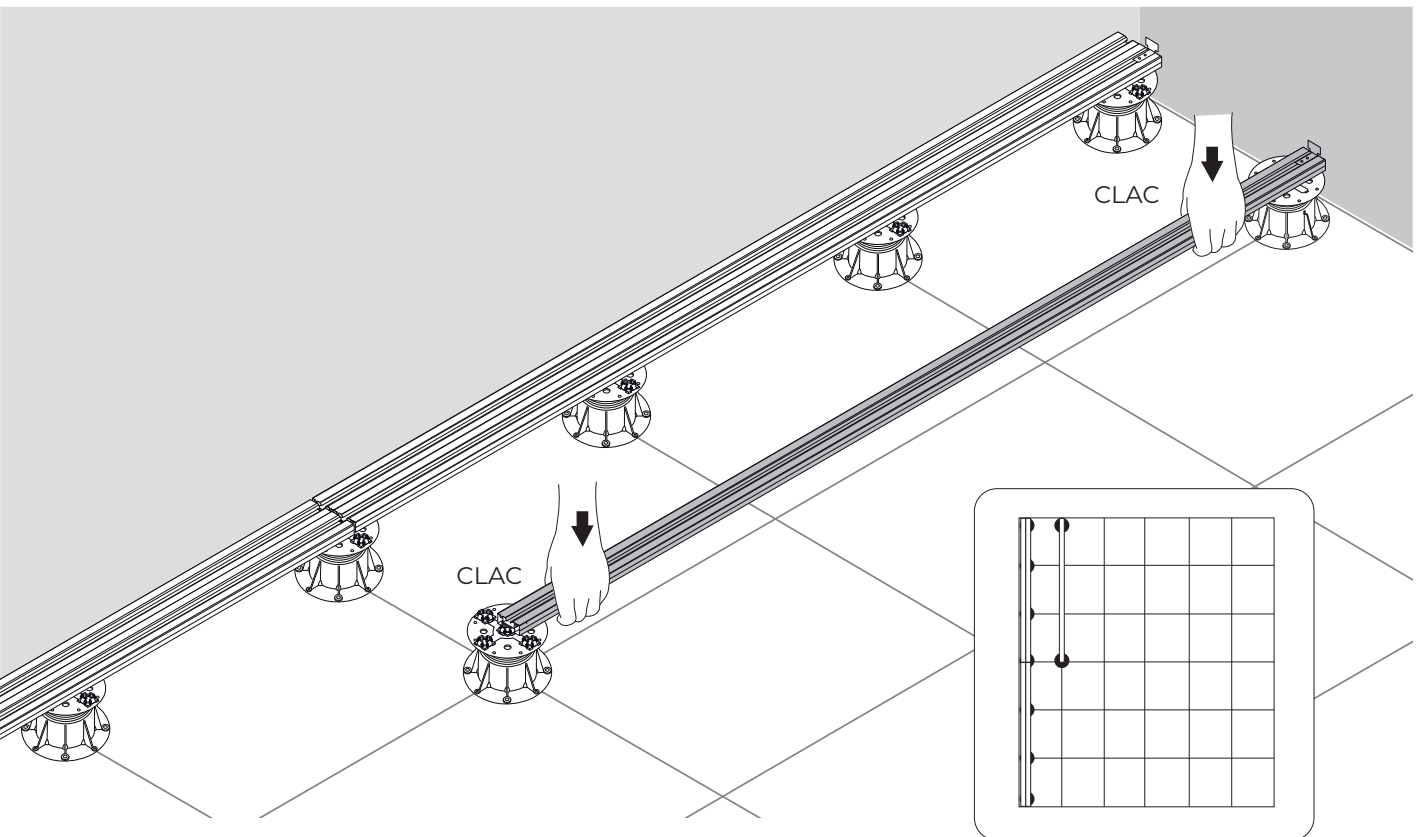
**7**



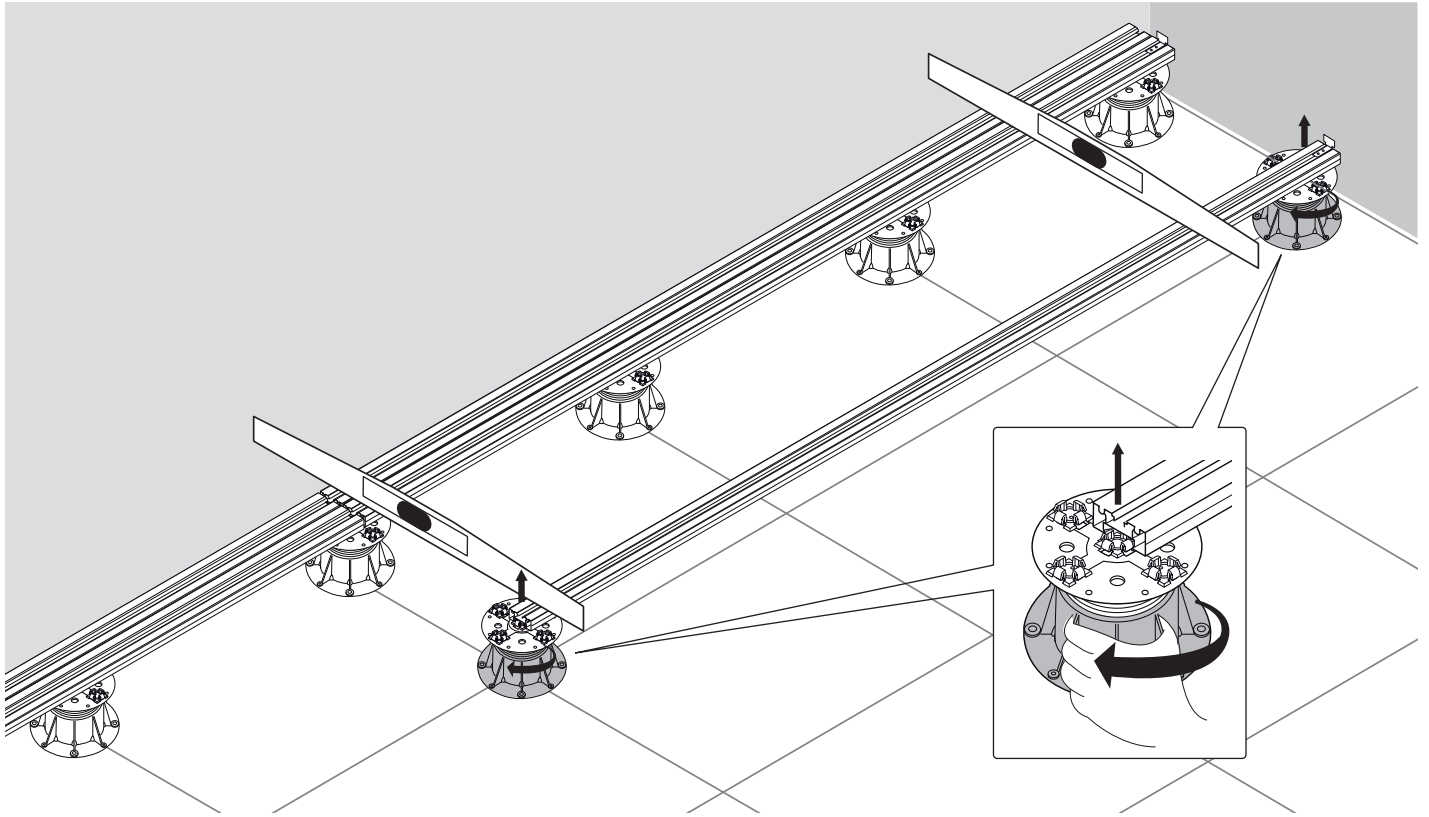
**8**



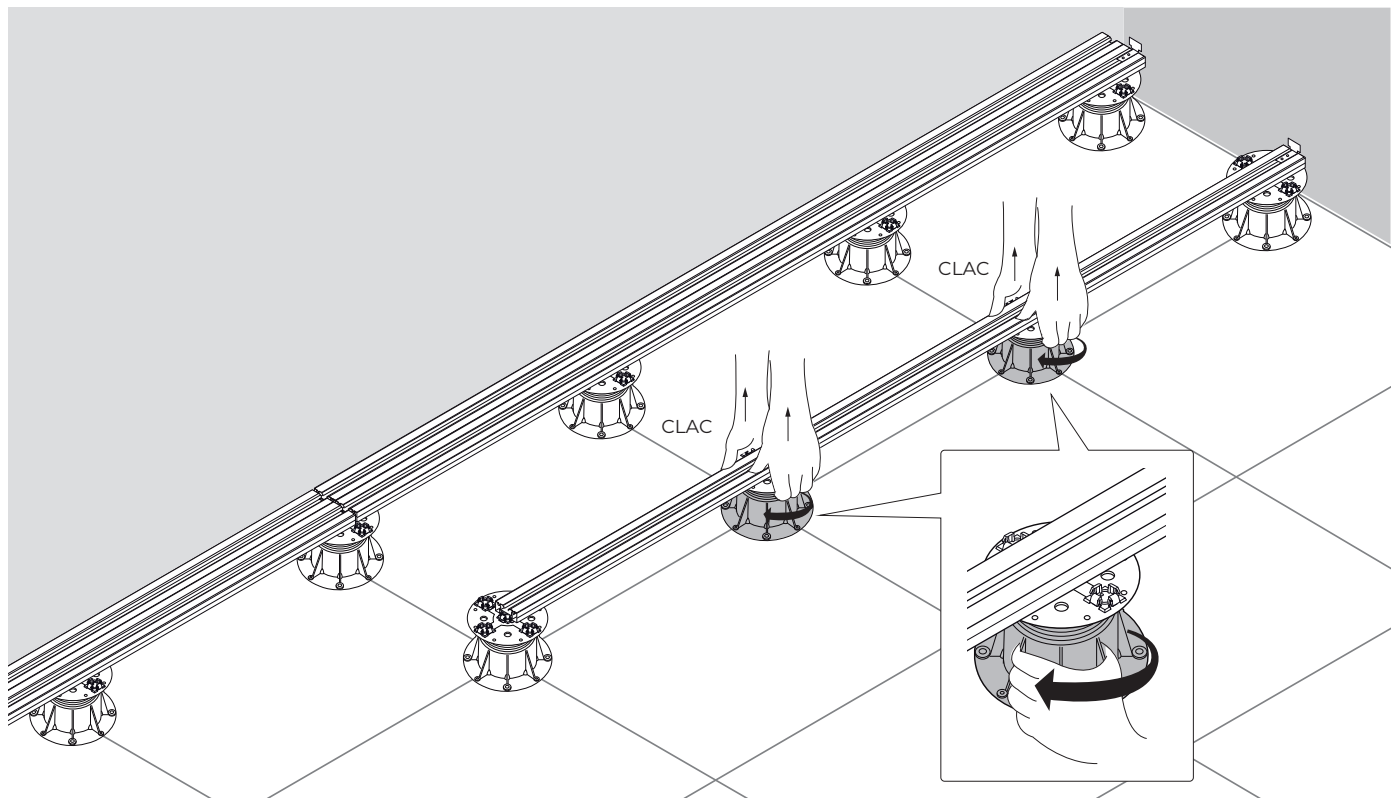
**9**



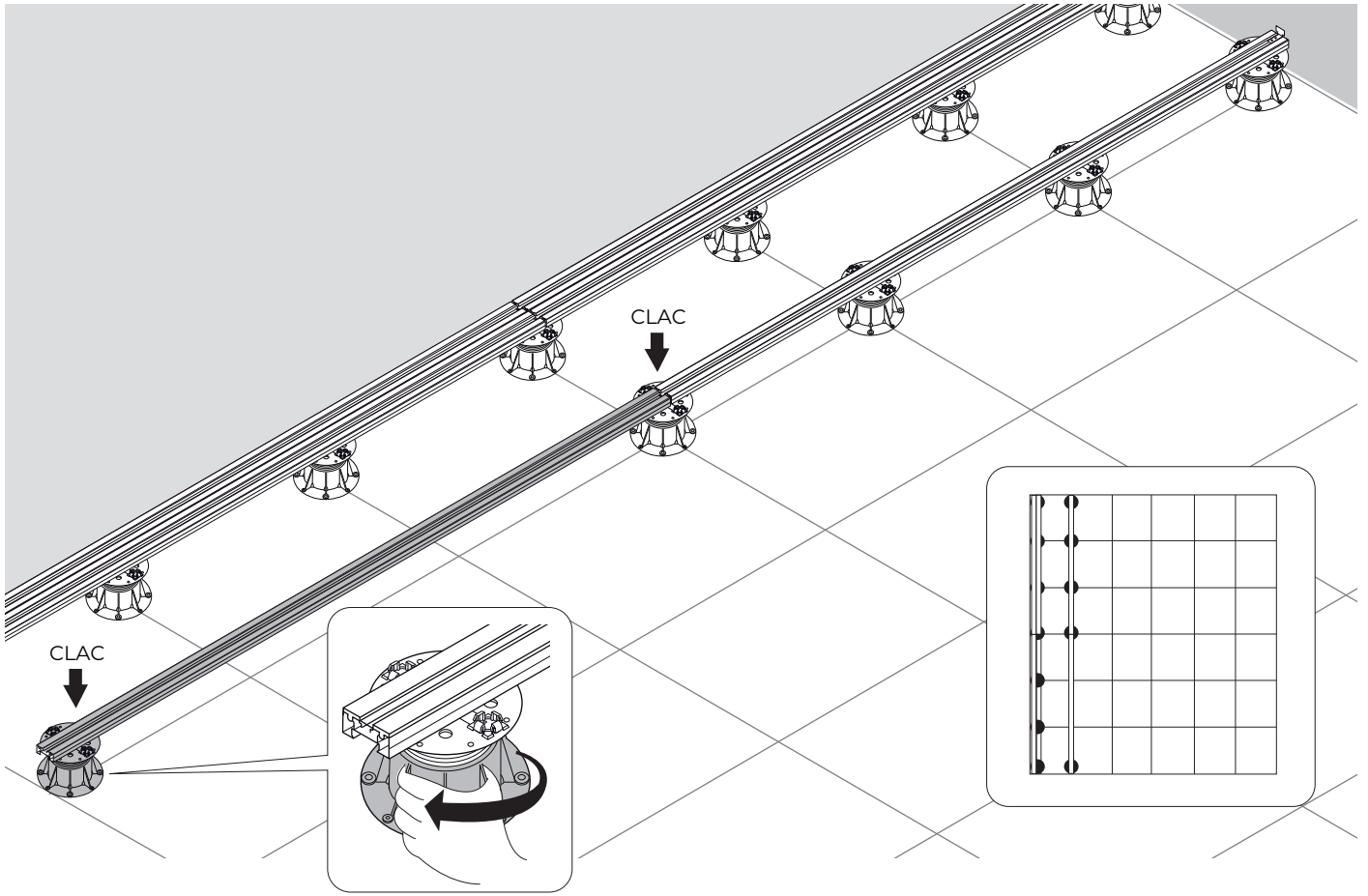
**10**



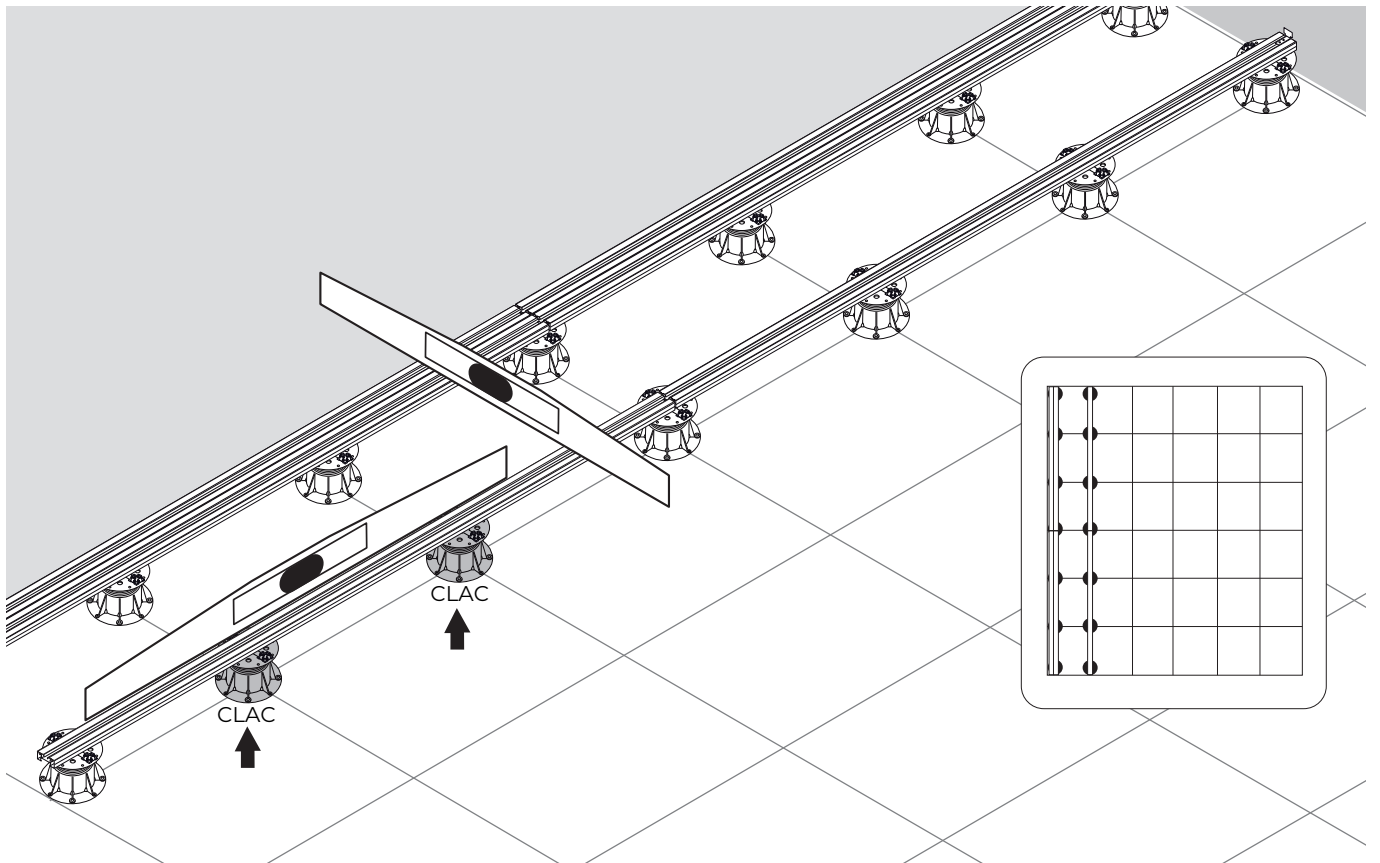
**11**

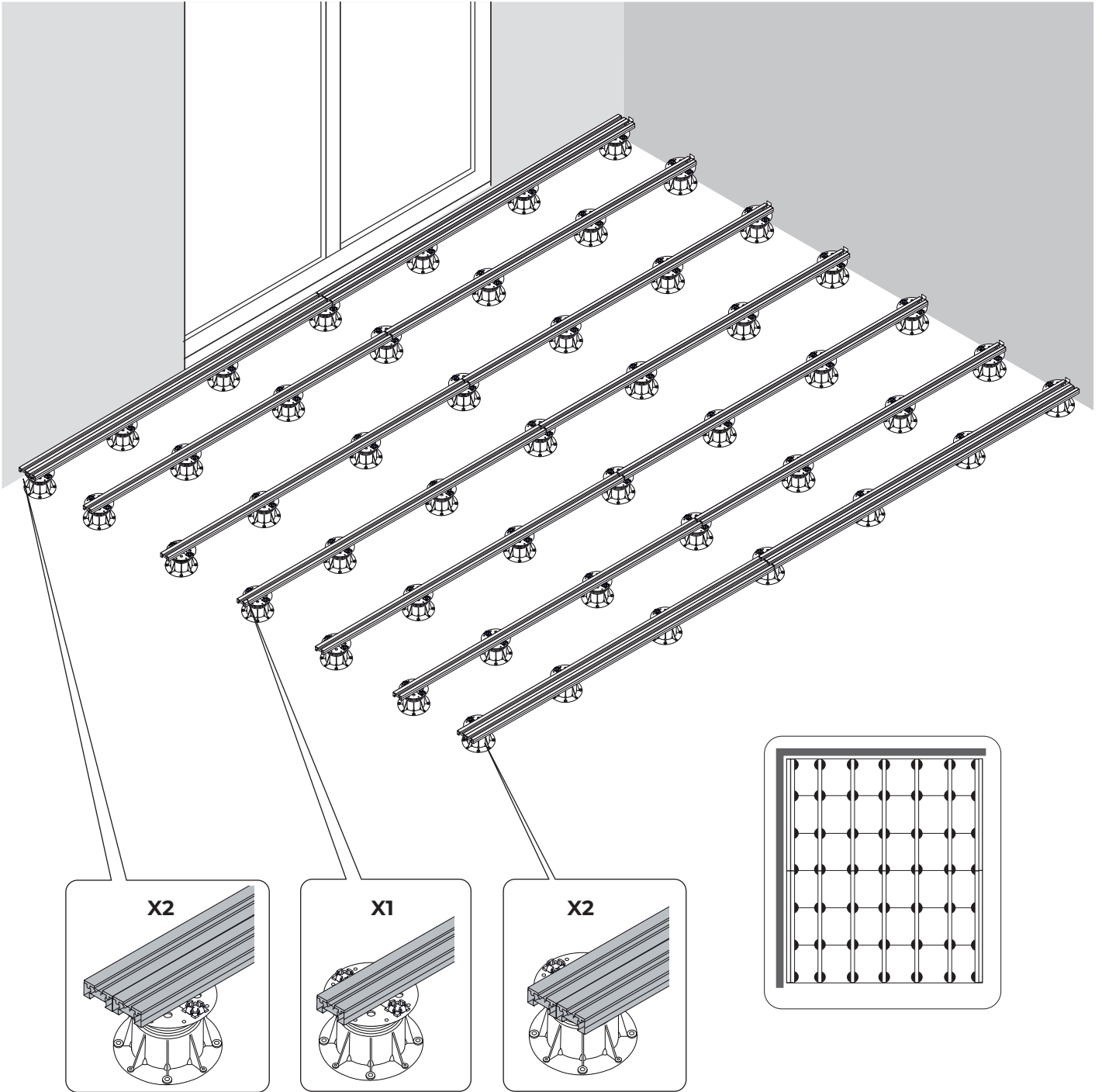


**12**



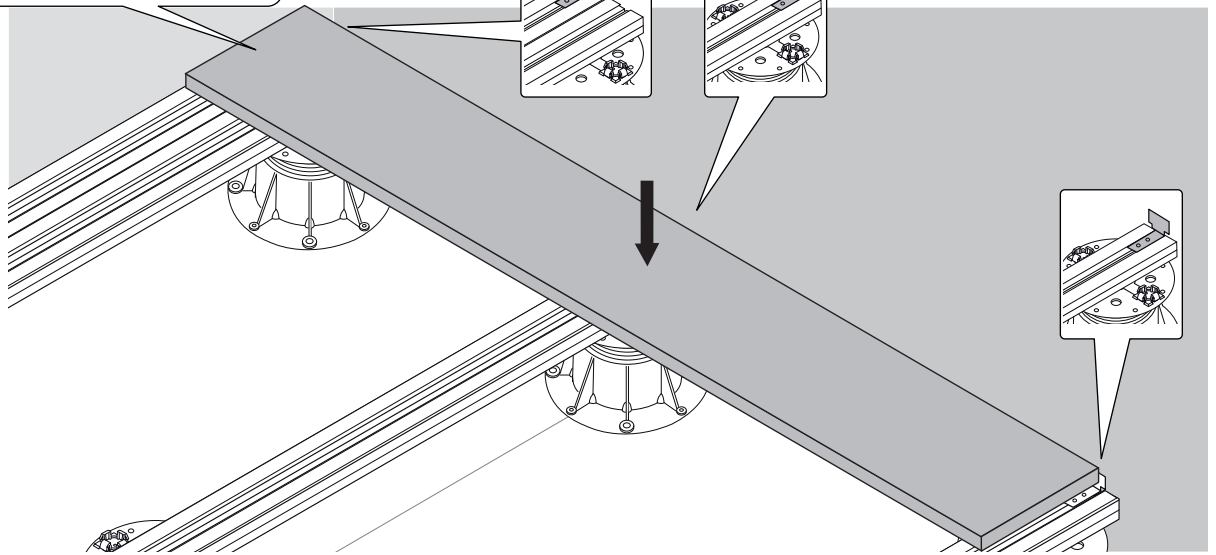
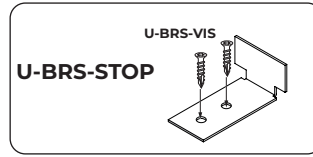
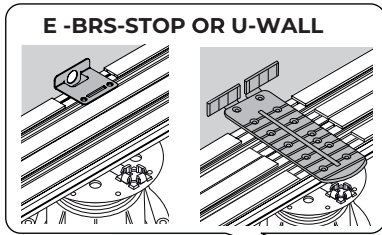
**13**





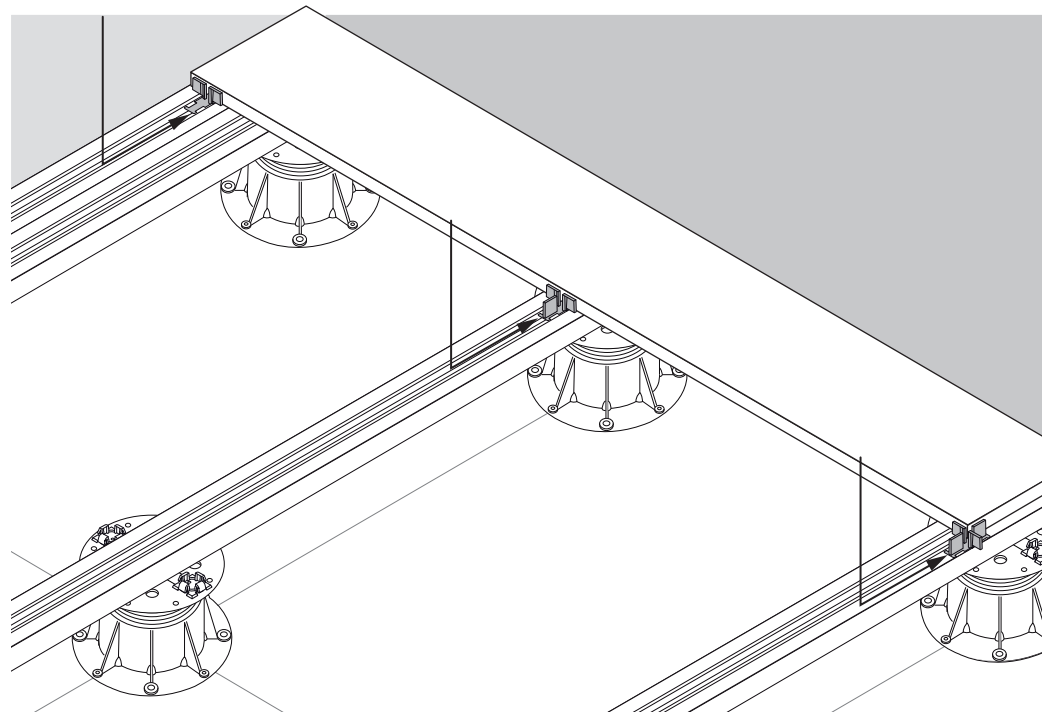
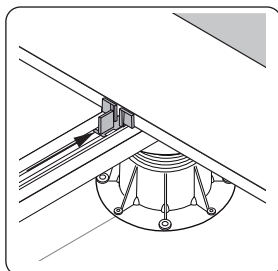
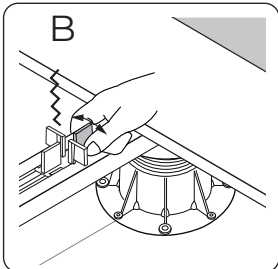
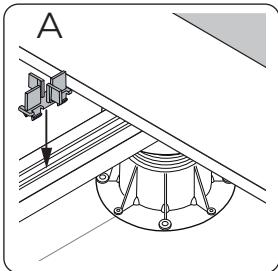
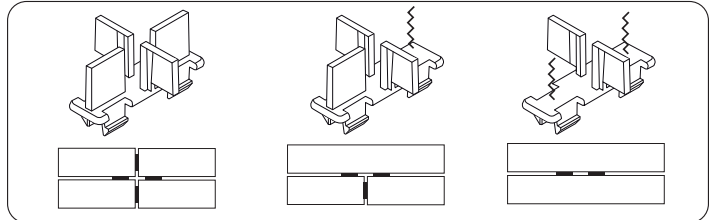
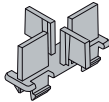
**2 rails on the sides**

15



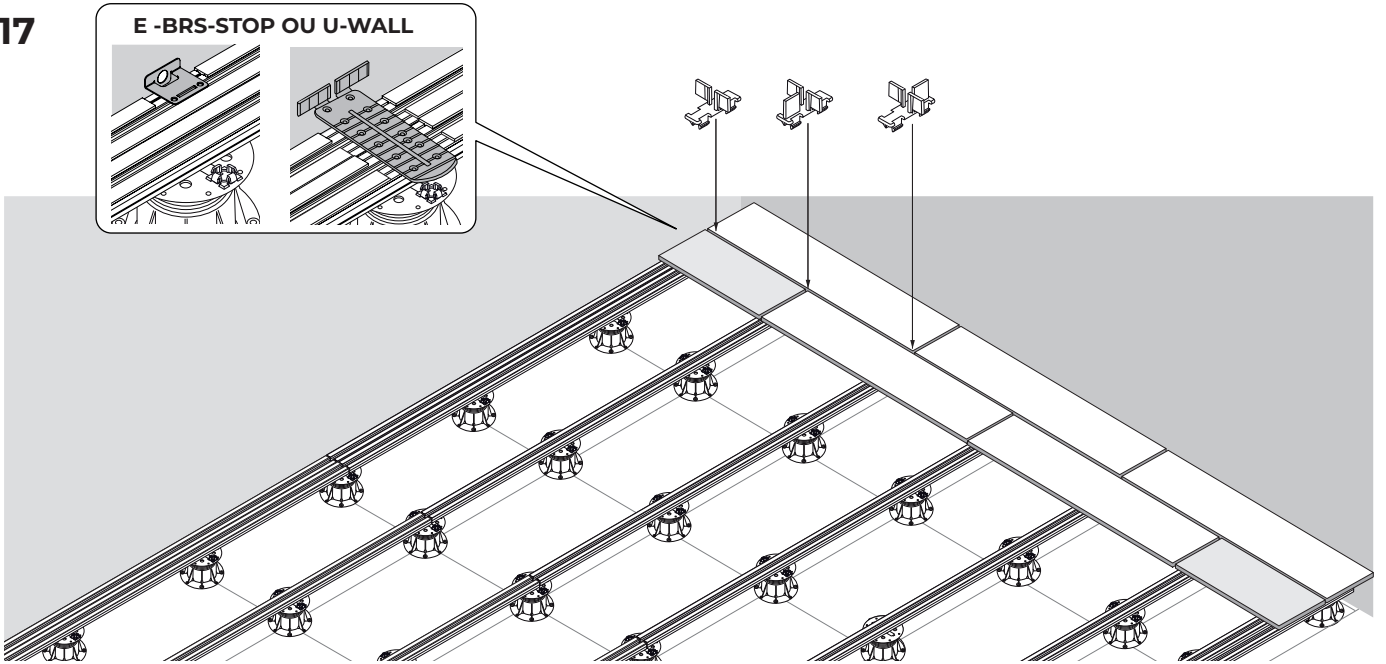
16

U-BRS-TABS

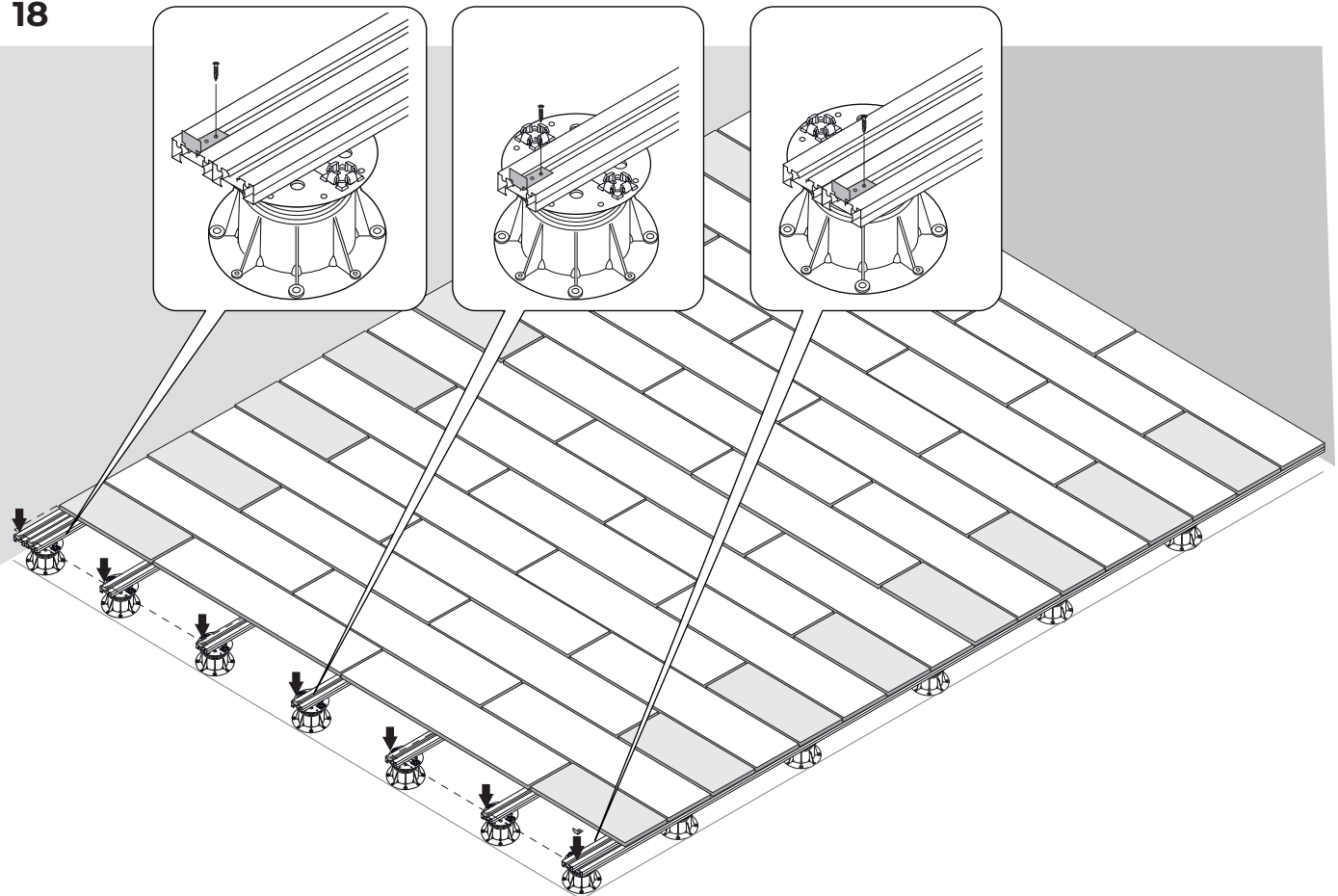


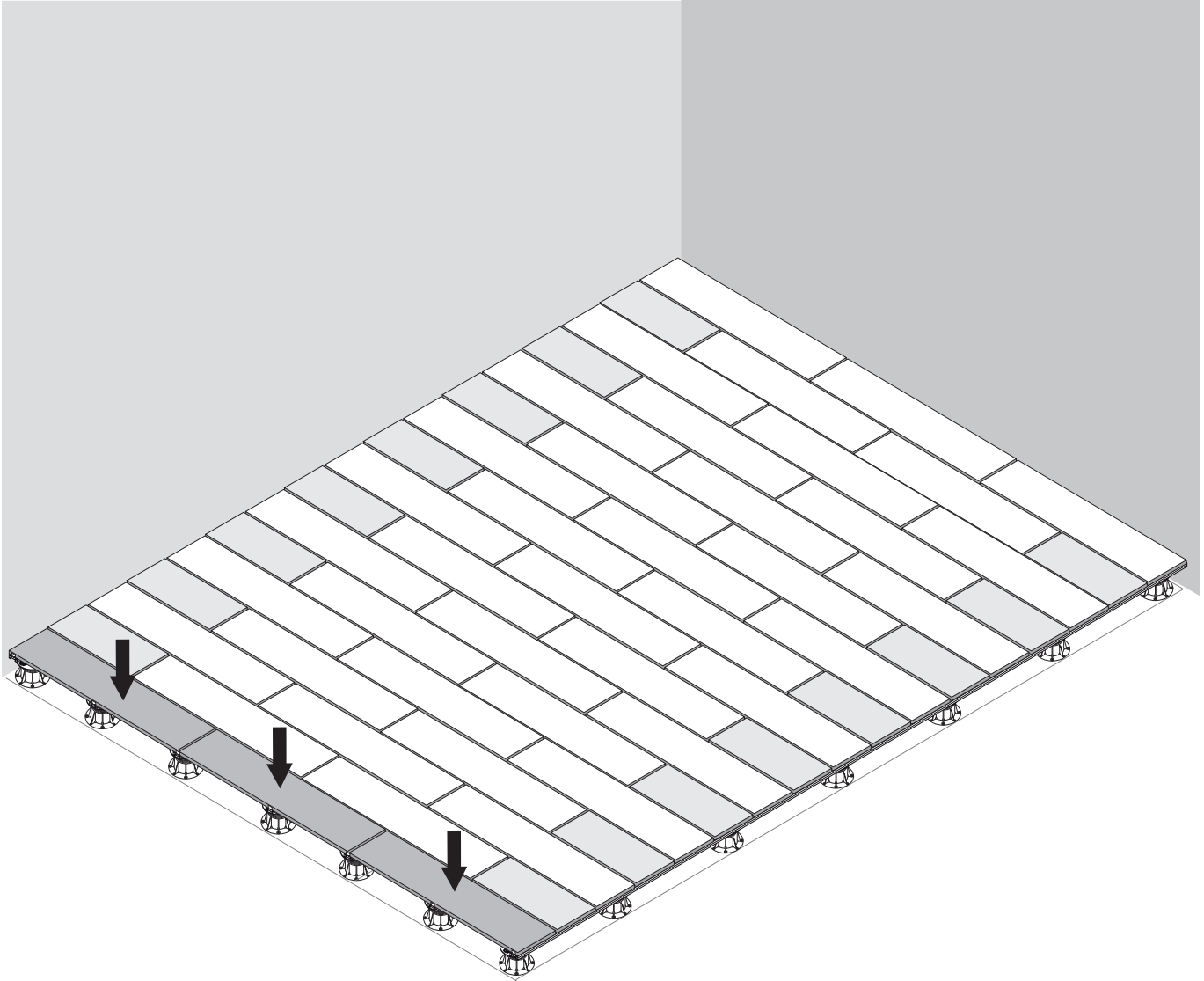
**17**

**E -BRS-STOP OU U-WALL**

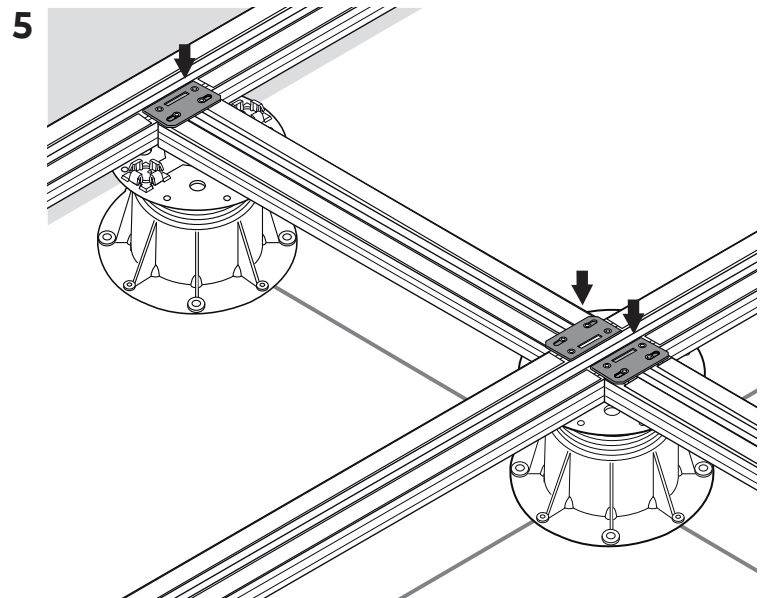
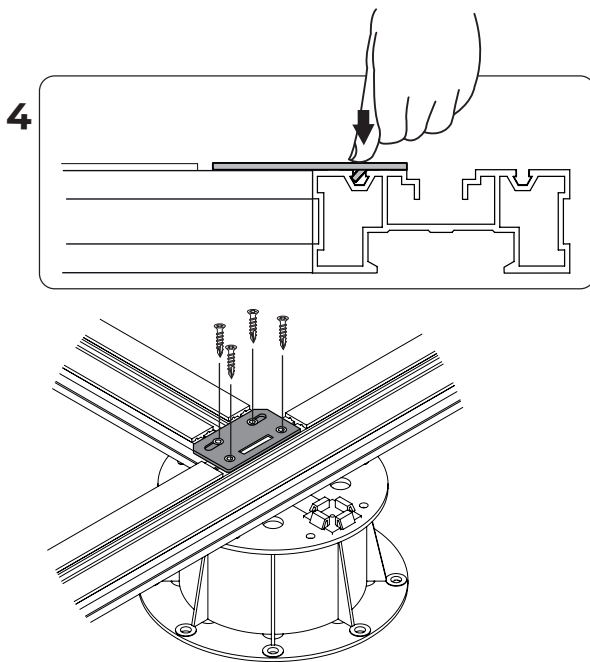
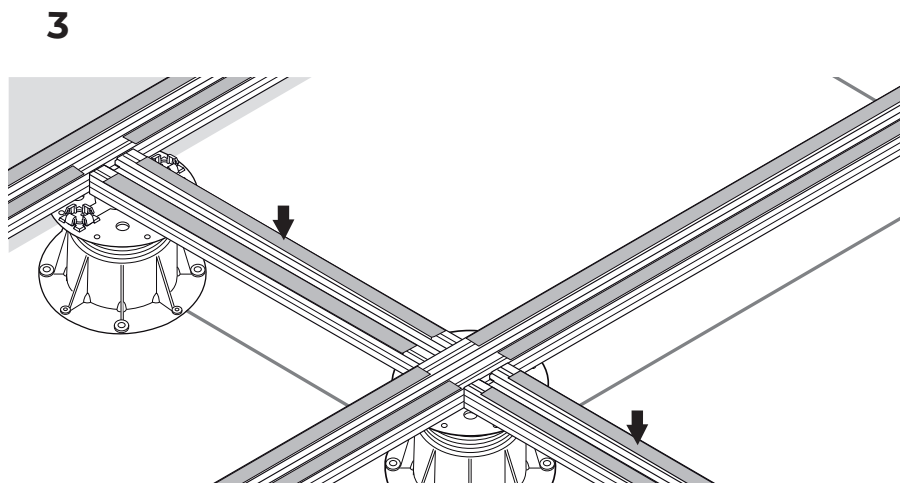
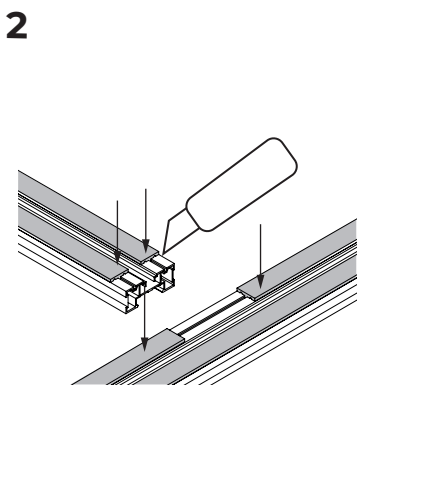
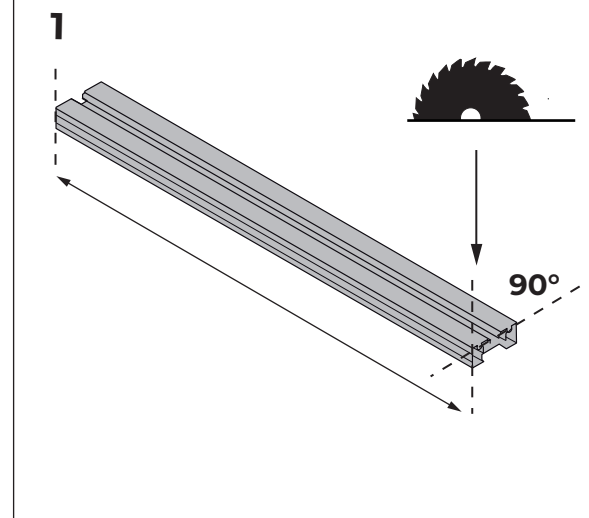
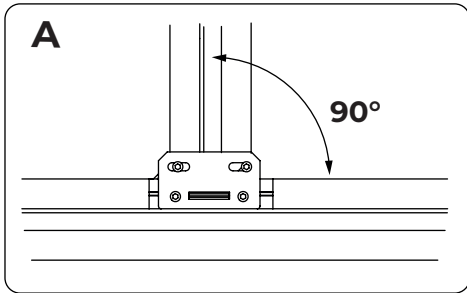
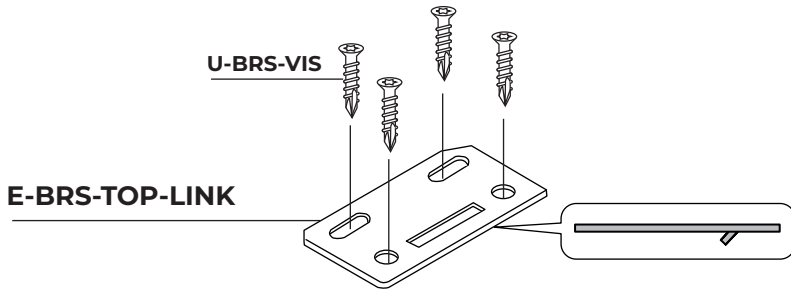


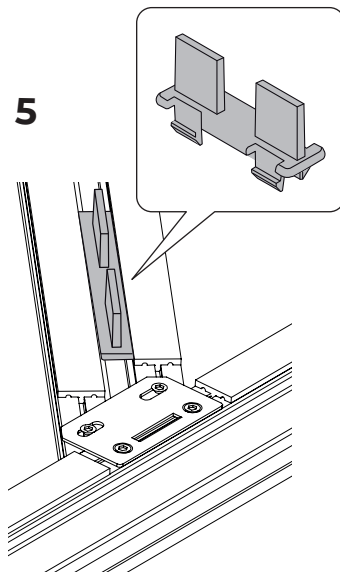
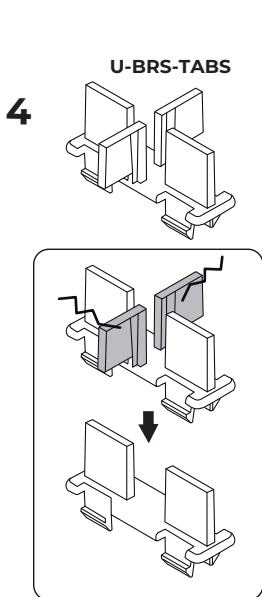
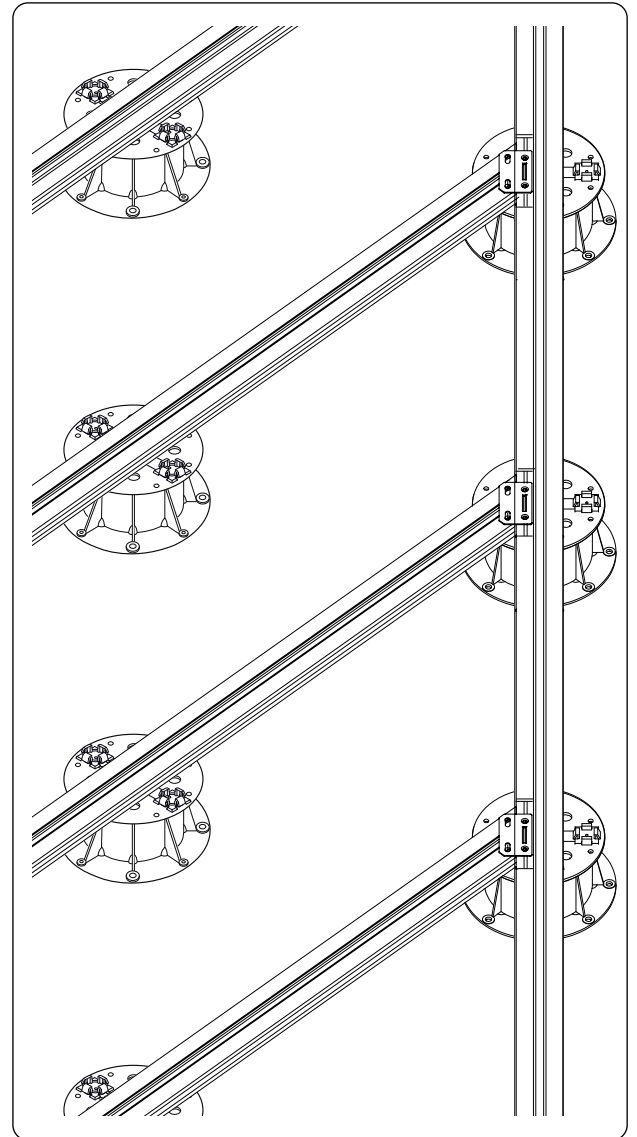
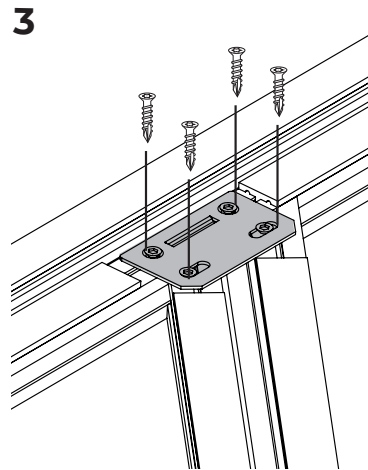
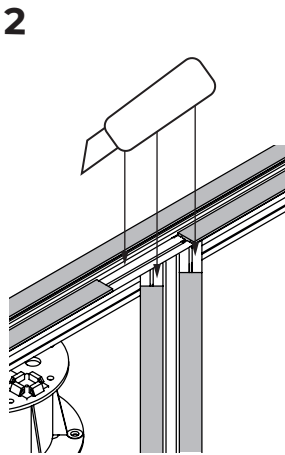
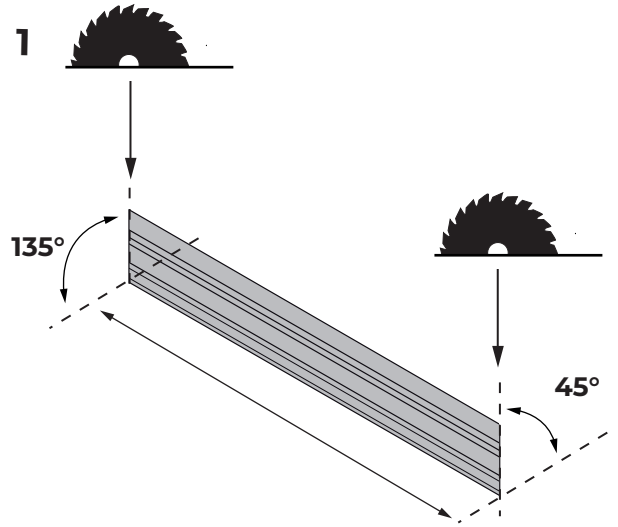
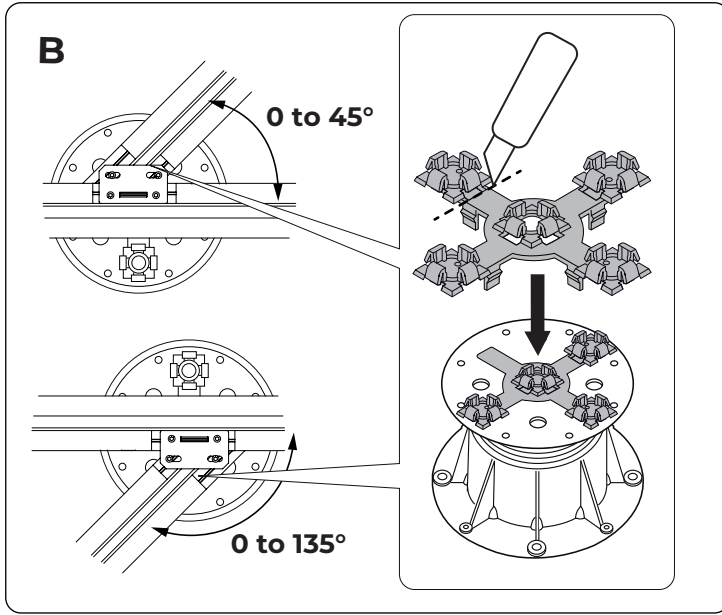
**18**



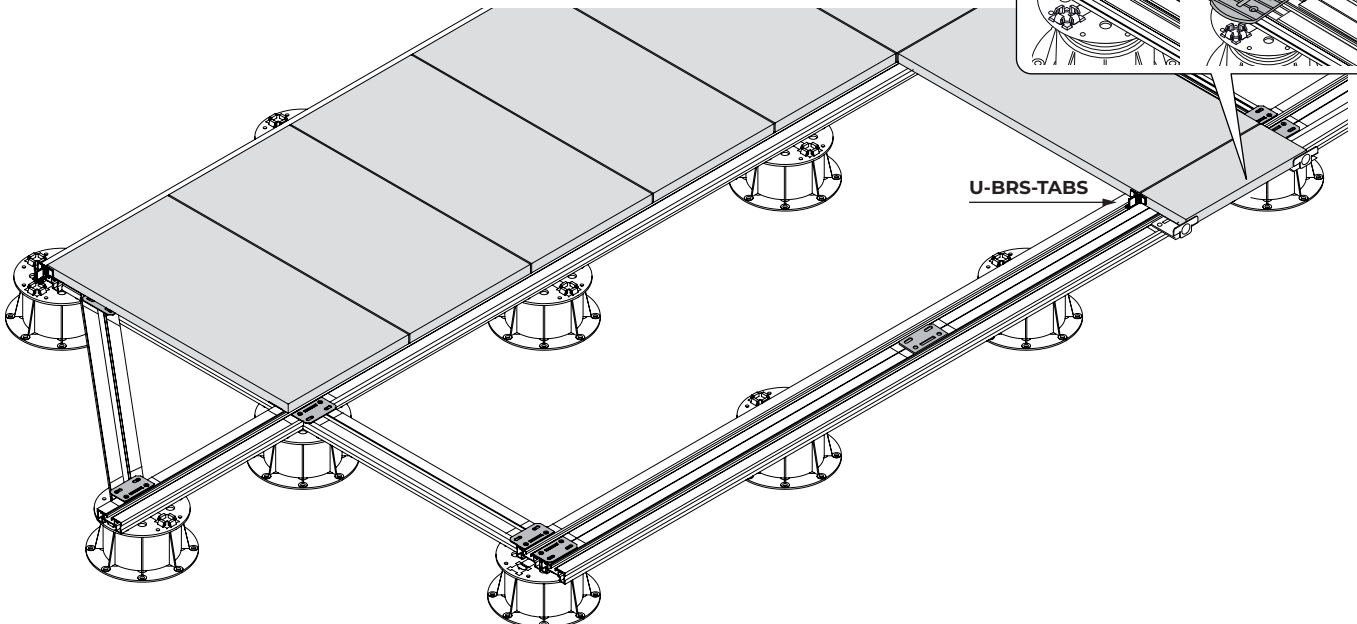
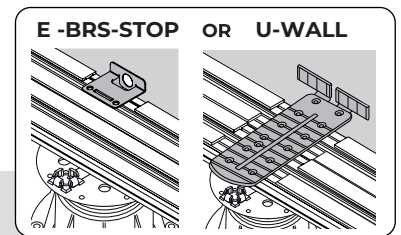
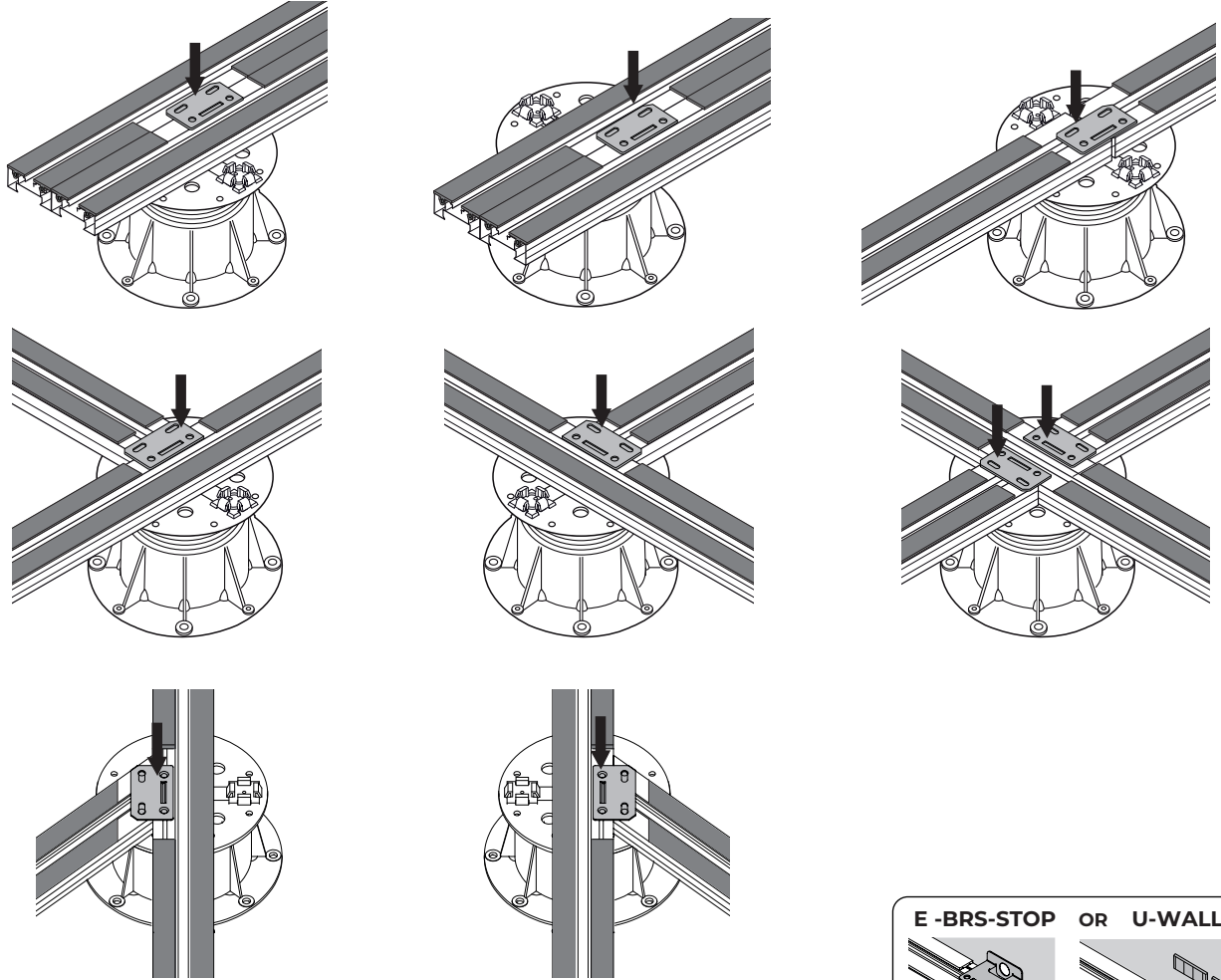
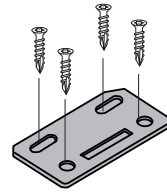


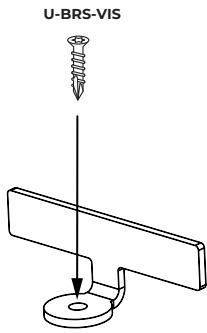




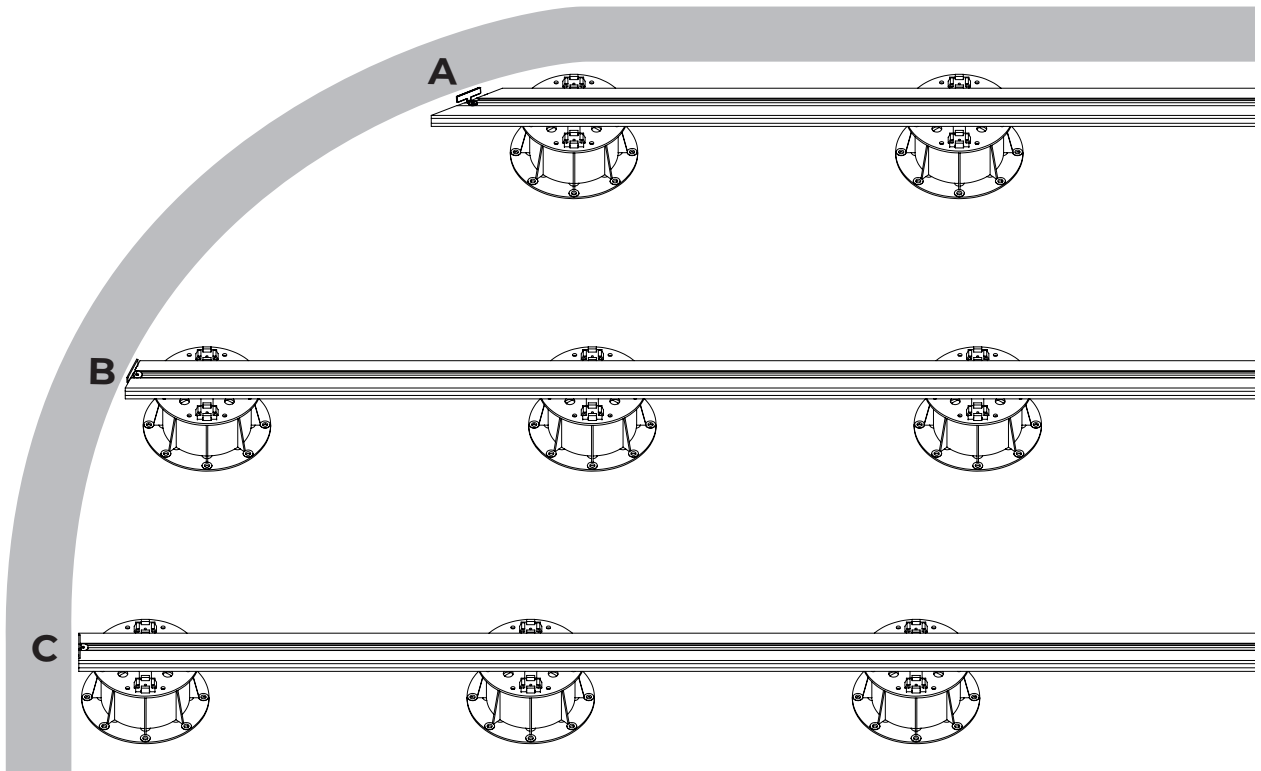
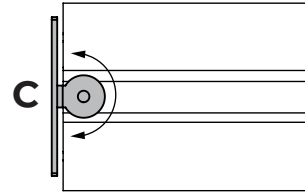
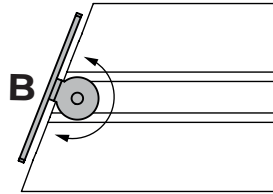
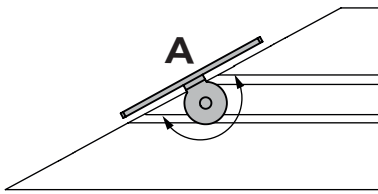
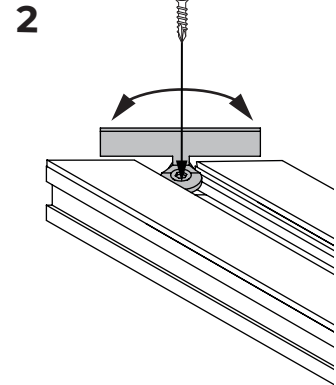
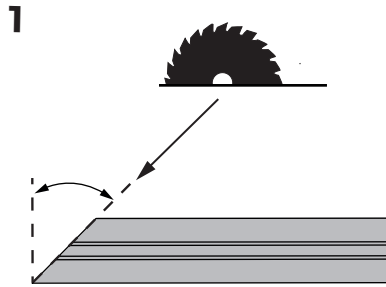


**Rail locking with E-BRS-TOP-LINK**

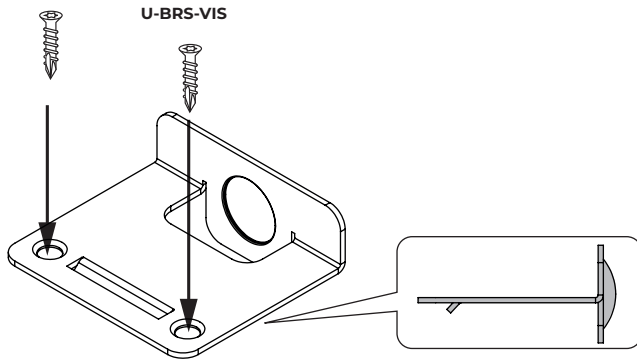




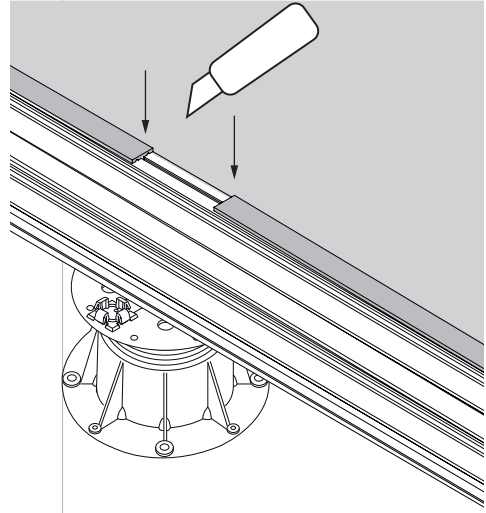
E-BRS-STOP-ROUND



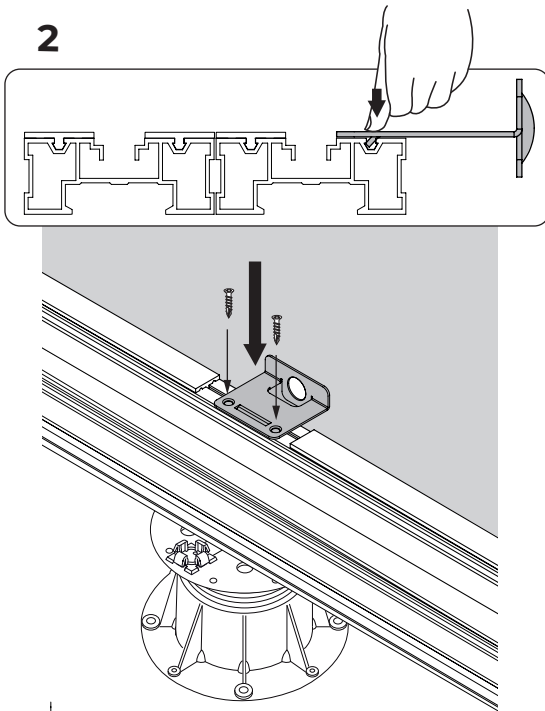
## E-BRS-WALL



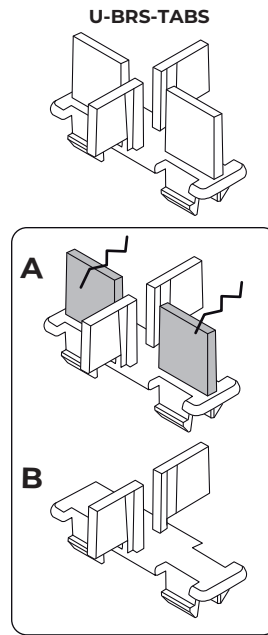
1



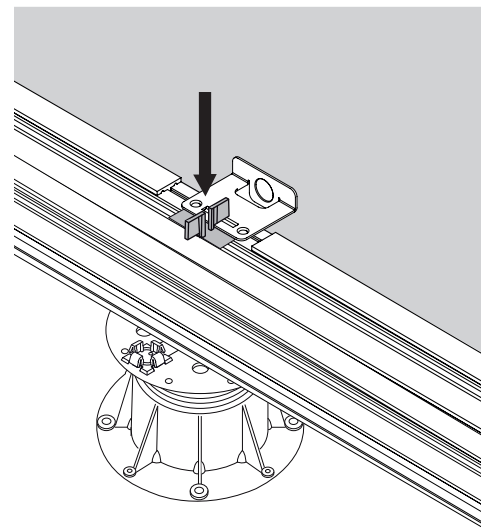
2



3



4



5

