



Data Sheet

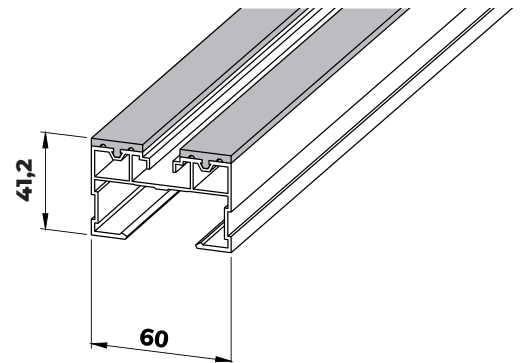
E-BRS-41 / E-BRS-41-B

Aluminium joist 60 x 41,2 mm
with factory-fitted EPDM seal

DESCRIPTION

E-BRS-41/41-B:

- Is an aluminium joist compatible with Buzon's EASY RAIL SYSTEM.
- Compatible with all Buzon range of pedestals.
- Supplied with two factory-fitted shock-absorbing seals.
- Includes holes to ensure rapid water drainage.
- Includes visual markers at the location of each peg.



E-BRS-41
E-BRS-41-B

CHARACTERISTICS

Height : **41,2 mm**
Length : **2350 mm**
Width : **60 mm**
Joint thicknesses : **3,2 mm**
Weight : **2,83 kg**

FINISHES

E-BRS-41 : **Aluminium**
E-BRS-41-B : **Anodised black**

PACKAGING

Sales unit : **Per unit**
Pieces per pallet : **132**

MATERIAL

Rail : **Aluminium**
Joint : **EPDM**

CORROSION RESISTANCE

E-BRS-41 : **Good**
E-BRS-41-B : **Excellent**

PRESCRIPTION

Supply and installation of an aluminium rail with factory-installed shock-absorbing joints. The aluminium rail has holes to ensure rapid water drainage. The aluminium rail is marked to show the exact position of the pedestal, so no measurements are required. The shock-absorbing seals are made of EPDM, which is impervious to atmospheric conditions. The damping seals are mechanically fixed (not glued). EPDM 70° shore.

APPLICATIONS

Buzon pedestals and accessories are designed to support raised floors used only by pedestrians. They cannot support or be subjected to moving or vibrating machinery and equipment. This includes cars, maintenance vehicles and similar equipment.